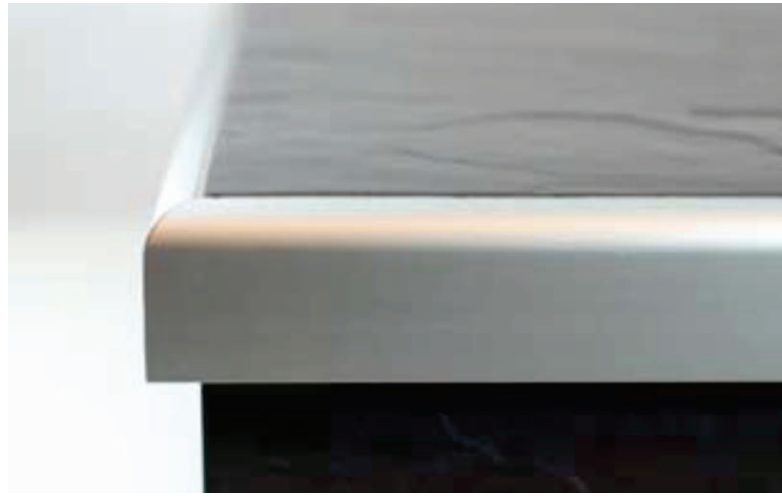




profiles for floor

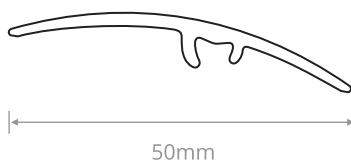
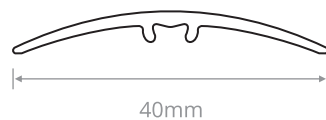


Flexi 30 / 40 / 50



Description

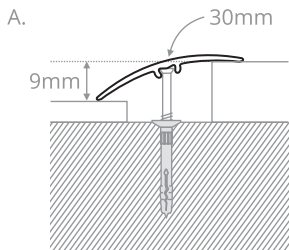
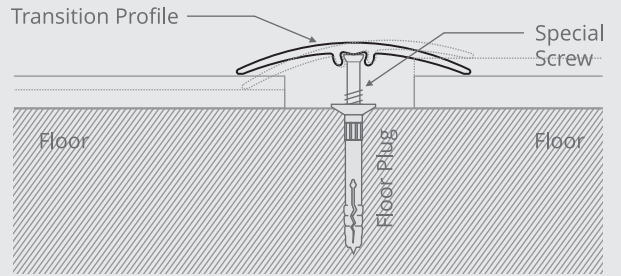
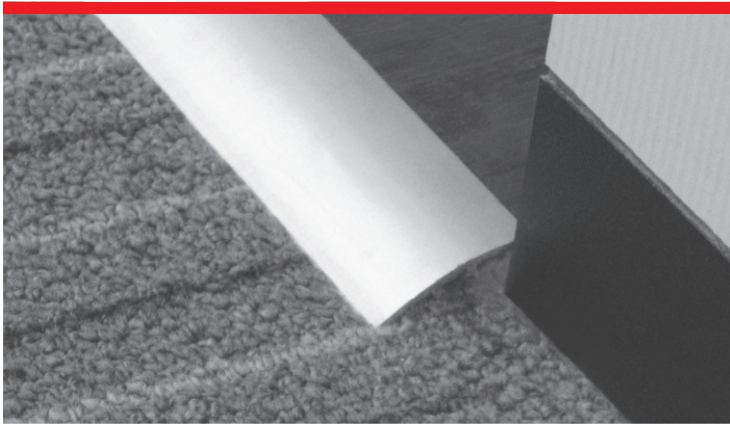
- ▶ Flexi Profiles are clipped on to the floor by inserting specially developed screws and floor plugs in pre drilled holes at random intervals
- ▶ No Screws visible on top surface giving smooth finish
- ▶ Can be used as edging for laminate, parquet and hard floors or as a junction to other types of flooring which are different in heights
- ▶ **Width:** 30mm / 40mm / 50mm
- ▶ **Length:** 2800mm



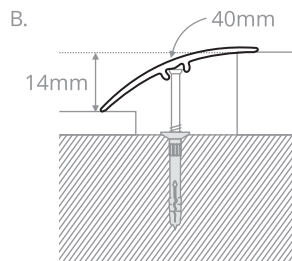
PRODUCT NAME: FLEXI 30 / 40 / 50

SIZE	CODE
30mm	TPP044A
40mm	TPP046A
50mm	TPP085A

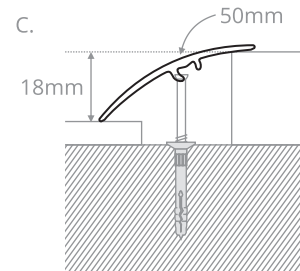
PROFILES FOR FLOOR



Use 30mm wide profile if the height difference is 0mm to 9mm



Use 40mm wide profile if the height difference is 0mm to 14mm

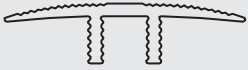
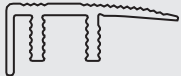
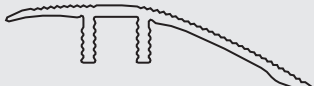

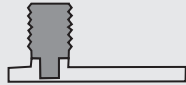


Use 50mm wide profile if the height difference is 0mm to 18mm



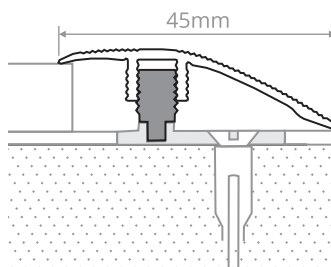
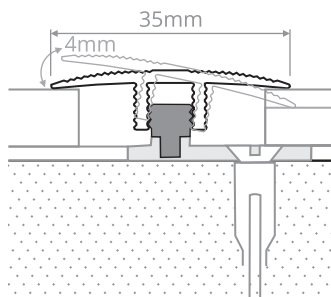
REFLEX - ADAPTOR BASE



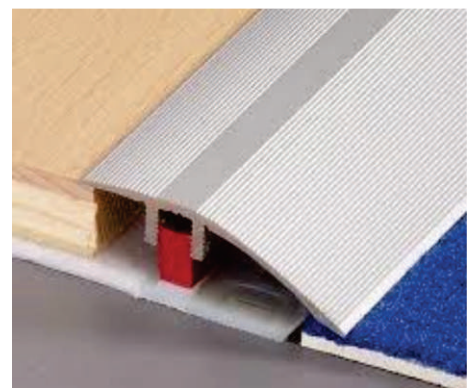
HEAD	 Reflex - 35mm	 Reflex - 25mm	 Reflex - 45mm
BASE	 6-10mm	 11-15mm	

Description

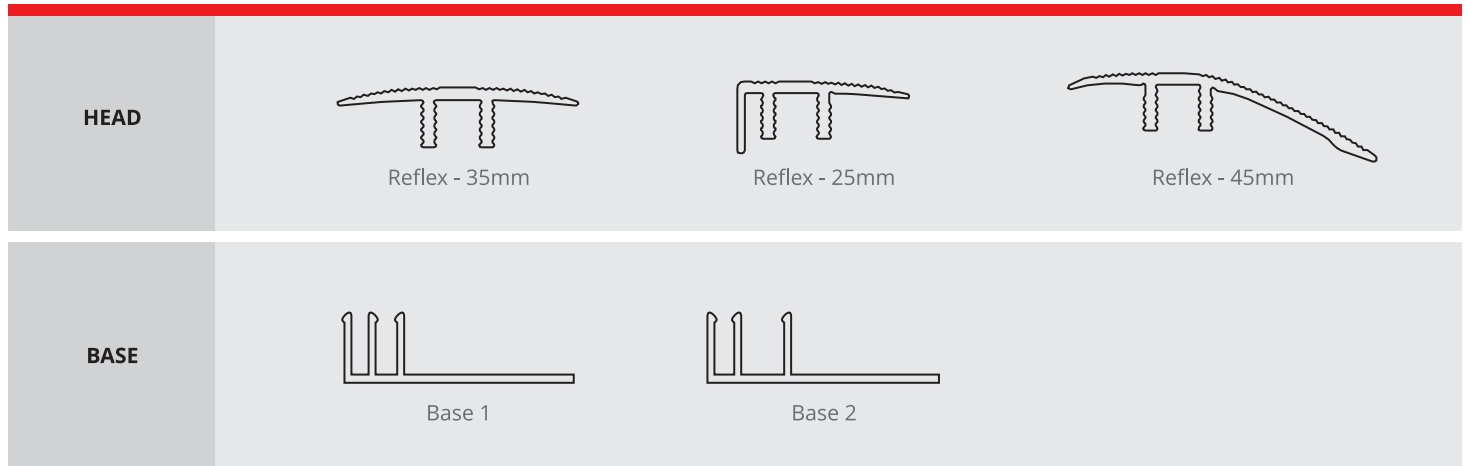
- ▶ Reflex Profile; installed with glass fibre reinforced adaptors and a base which is grouted to the floor.
- ▶ Unique design of the base allows the profile to be firmly grouted to the floor yet allows the profile to flex as per the flooring heights.
- ▶ Adaptors are available in two different height options; the system is adaptable to flooring height of 6mm to 15mm.
- ▶ No Screws visible on top surface.
- ▶ **Length:** 2800mm



PRODUCT NAME: REFLEX	
SIZE	CODE
35mm	PRP132 - with adaptor base
25mm	PCP133 - with adaptor base
45mm	PCP134 - with adaptor base

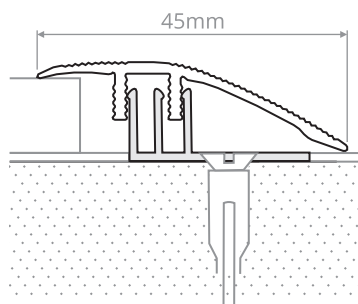
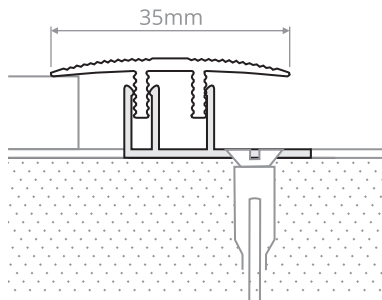


REFLEX - ALUMINIUM BASE



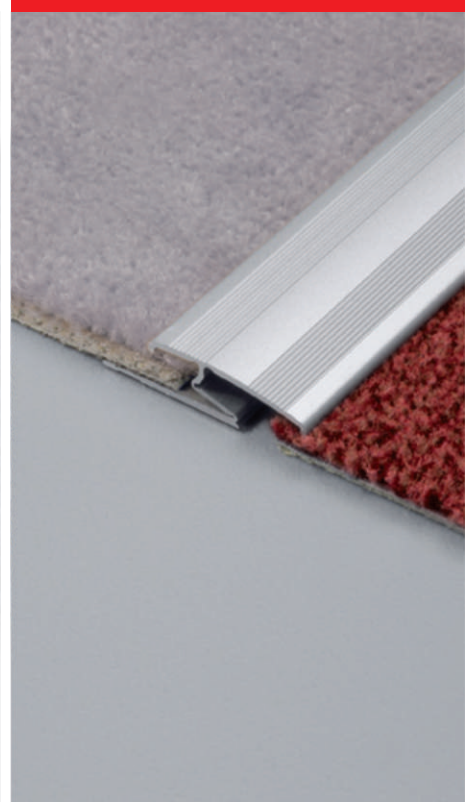
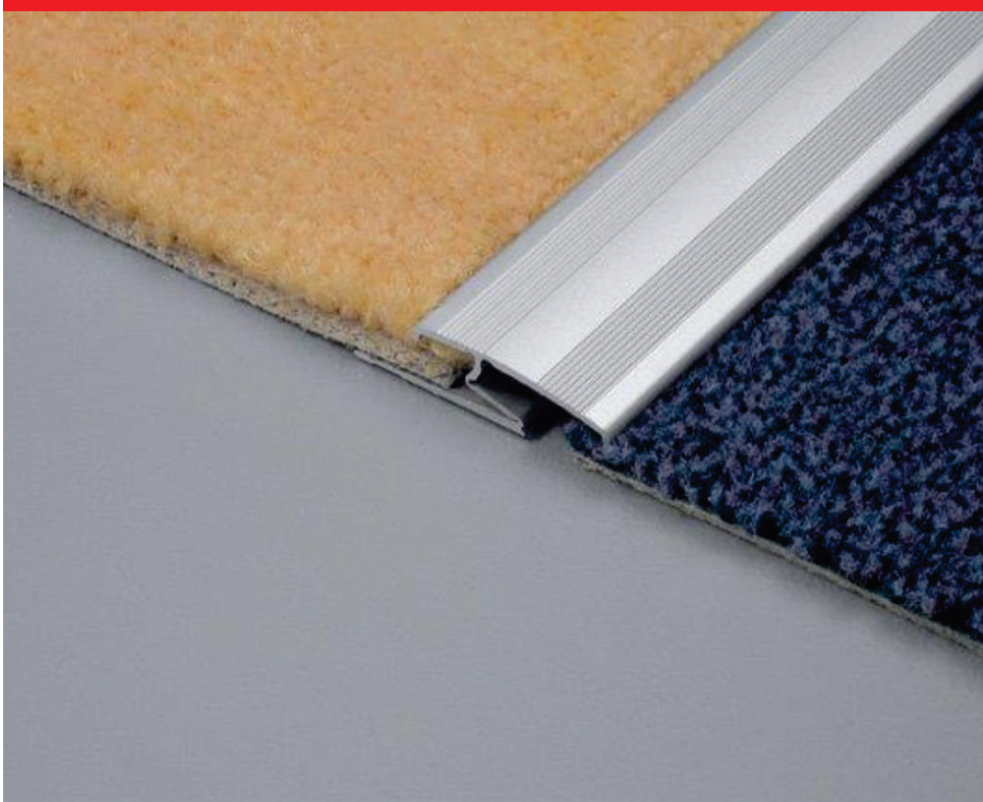
Description

- ▶ Reflex Profile; installed with aluminium base which is grouted to the floor.
- ▶ Unique design of the base allows the profile to be firmly grouted to the floor yet allows the profile to flex as per the flooring heights.
- ▶ No Screws visible on top surface.
- ▶ **Length:** 2800mm



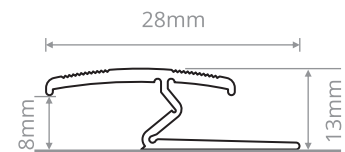
PRODUCT NAME: REFLEX	
SIZE	CODE
35mm	PRP132 - with aluminium base
25mm	PCP133 - with aluminium base
45mm	PCP134 - with aluminium base

Z Pro



Description

- ▶ Z Profile is for transition from carpet / vinyl to any other surface
- ▶ Variable double sided profile which bends as per the height of the flooring on either side
- ▶ No Screw visible on top surface giving smooth finish
- ▶ **Width:** 28mm
- ▶ **Length:** 2800mm



PRODUCT NAME: Z PRO

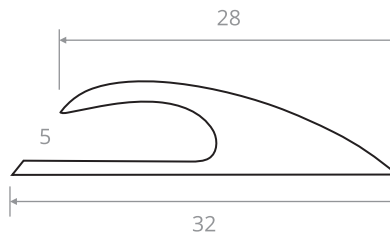
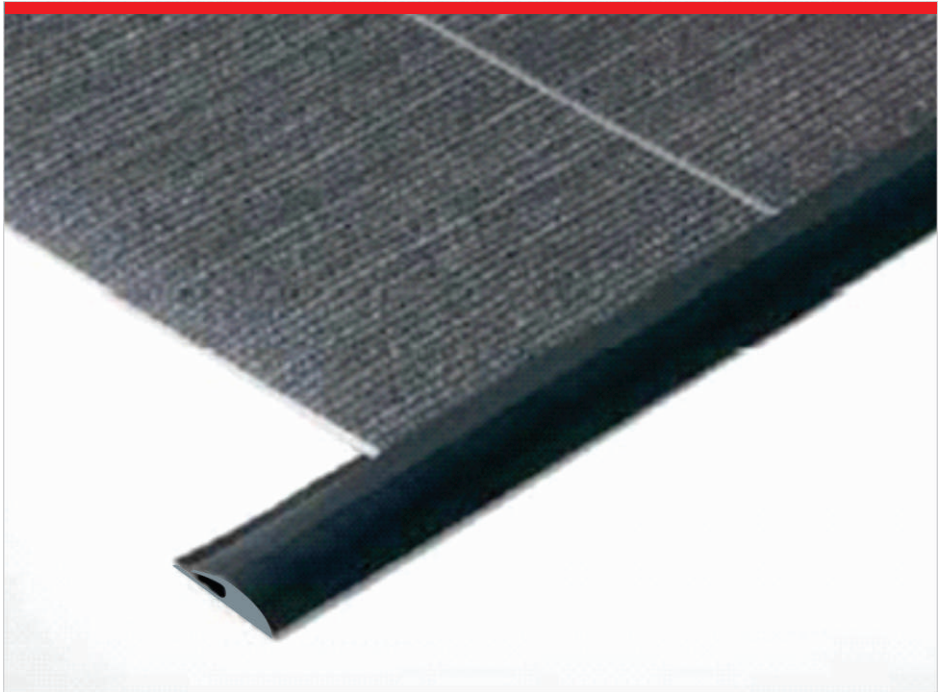
SIZE	CODE
28mm	TPP055A



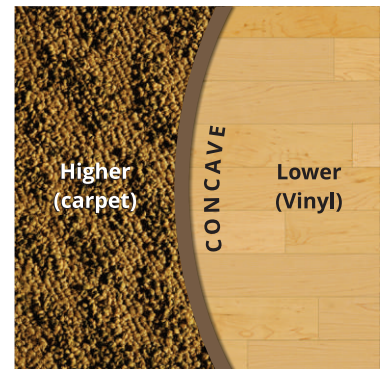
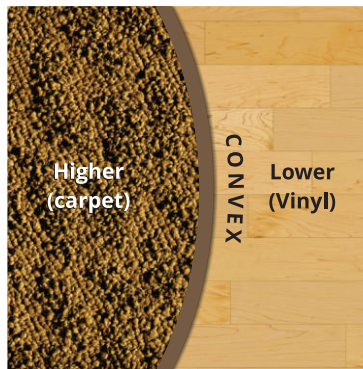
PVC EDGE PROFILE

Description

- ▶ PVC Edge Profile to be used with floorings up to 5mm thick.
- ▶ It can be easily formed on site without the need for heat application.
- ▶ It is ideal for covering the edges of carpet / Resilient Flooring.
- ▶ One Piece Profile for easy installation.
- ▶ Reach Compliant.
- ▶ Available in three color.
- ▶ **Length:** 2800mm



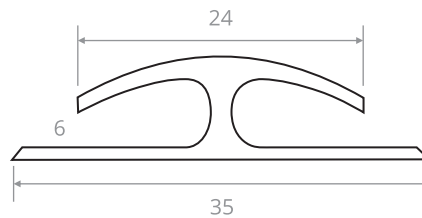
PRODUCT NAME: PVC EDGE PROFILE	
SHADE	CODE
Grey	EPP162
Beige	EPP163
Brown	EPP164



PVC JUNCTION PROFILE

Description

- ▶ PVC Junction Profile for junction of flooring up to 6mm thick.
- ▶ Can be easily formed on site without the need for heat application.
- ▶ Ideal for transition of carpet and Resilient Flooring.
- ▶ One Piece Profile for easy installation.
- ▶ Reach Compliant.
- ▶ Available in three colors.
- ▶ **Length:** 2800mm



Grey

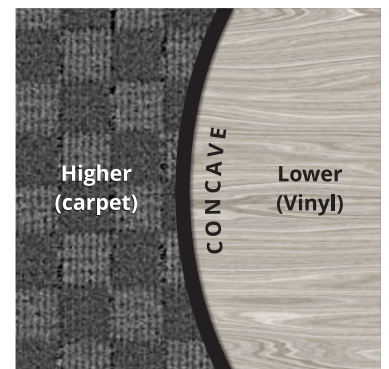
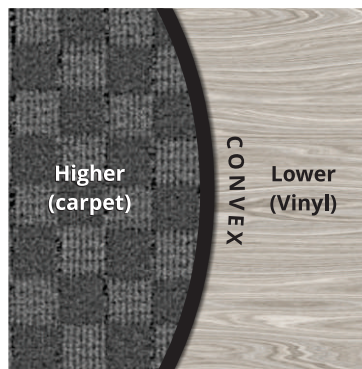


Beige



Brown

PRODUCT NAME: PVC EDGE PROFILE	
SHADE	CODE
Grey	JPP165
Beige	JPP166
Brown	JPP167



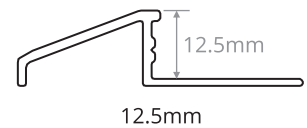
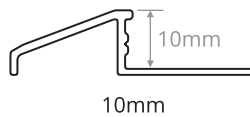
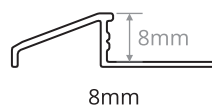
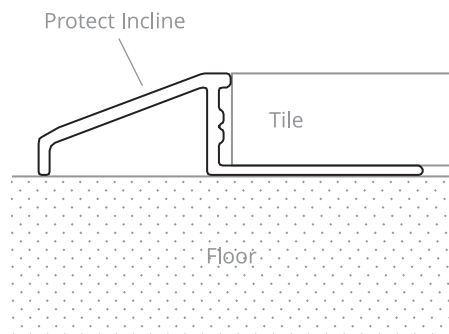




PROTECT - INCLINE

Description

- ▶ Termination Profile for flooring.
- ▶ Ideal for junction of carpet with tiled or parquet flooring.
- ▶ Designed to withstand heavy loads.
- ▶ **Length:** 2800mm

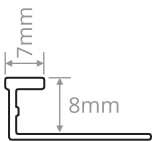


PRODUCT NAME: INCLINE	
SIZE	CODE
8mm	PIP129
10mm	PIP130
12.5mm	PIP131

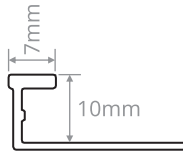
PROTECT - FINELINE

Description

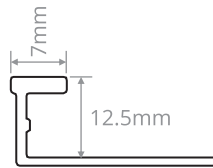
- ▶ Protect Fineline with visible surface of 7mm is a sleek profile with minimal interference in between floors.
- ▶ An ideal profile for junction of carpet with other types of flooring.
- ▶ Multi-Purpose Profile, can also be used in junction of different materials on wall
- ▶ **Length:** 2800mm



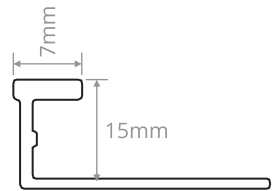
8mm



10mm



12.5mm



15mm



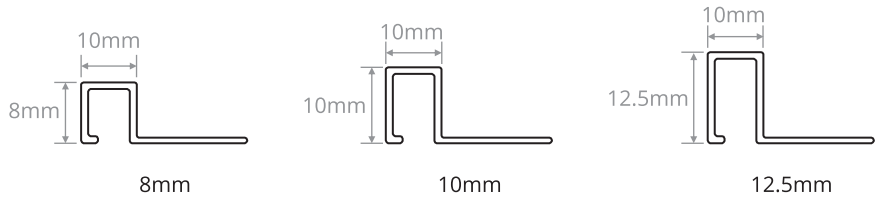
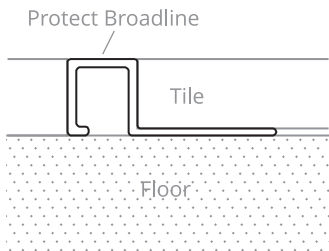
PRODUCT NAME: **FINELINE**

SIZE	CODE
8mm	PFP122
10mm	PFP123
12.5mm	PFP124
15mm	PFP125

PROTECT - BROADLINE

Description

- ▶ Protect Broadline is a decorative separating profile for floorings of same height.
- ▶ Protects the edges of flooring.
- ▶ Ideal for areas with heavy loads.
- ▶ Can also be used for edges of counter top and steps.
- ▶ **Length:** 2800mm



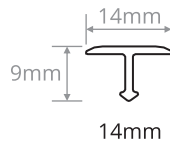
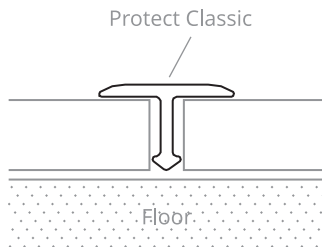
PRODUCT NAME: BROADLINE

SIZE	CODE
8mm	PBP126
10mm	PBP127
12.5mm	PBP128

PROTECT - CLASSIC, 14MM

Description

- ▶ Classic T Profile for junction of hard / wooden / laminate floors.
- ▶ Minimum thickness of flooring on either side is 8mm.
- ▶ Installed with suitable adhesive.
- ▶ **Length:** 2800mm



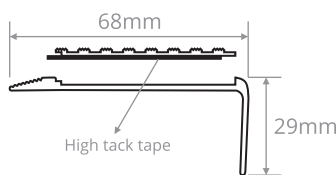
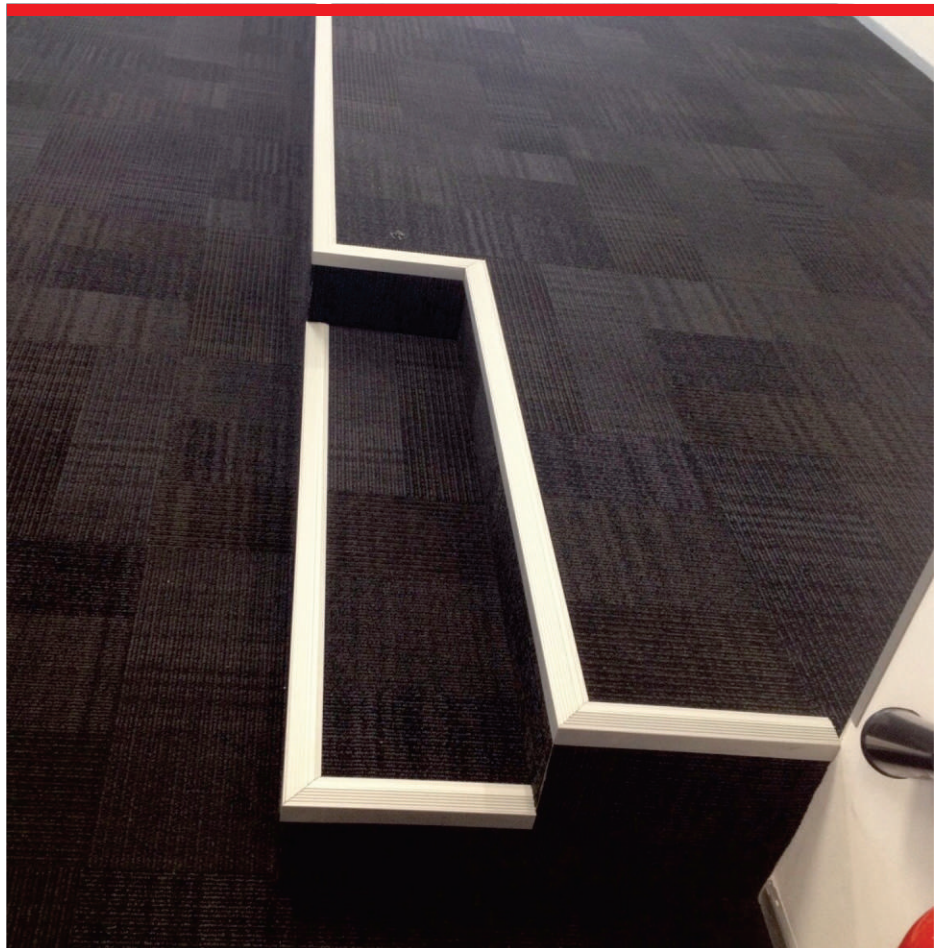
PRODUCT NAME: CLASSIC	
SIZE	CODE
14mm	PCP135



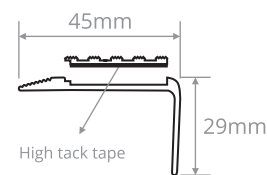
STAIR NOSING

Description

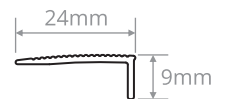
- ▶ An all-Aluminium two-piece Stair nosing with a base grouted to the floor and a slip – resistant insert fixed on top.
- ▶ Long lasting and excellent protection since the profile is all-aluminium.
- ▶ Ideal for heavy traffic areas.
- ▶ Grouting Screws get concealed in insert providing neat finish.
- ▶ Smaller 24mm X 9mm one-piece profile also available for low traffic areas.
- ▶ **Length:** 2800mm



68mm x 29mm



45mm x 29mm



24mm x 9mm

PRODUCT NAME: STAIR NOSING

SIZE	CODE
68mm x 29mm	SNP084
45mm x 29mm	SNP090
24mm x 9mm	SNP091

PROTECT - TOP EDGE

Description

- ▶ Protect Top Edge is a profile for the protection and finishing of external corners.
- ▶ Suitable for worktops and ceramic coated kitchens.
- ▶ Also recommended for running boards and steps made with tiles.
- ▶ **Length:** 2800mm

PRODUCT NAME: **TOP EDGE**

SIZE	CODE
10mm - 46mm	PTP136

