

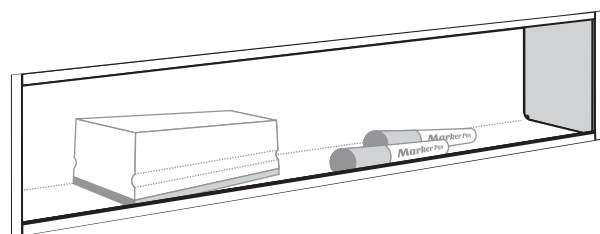
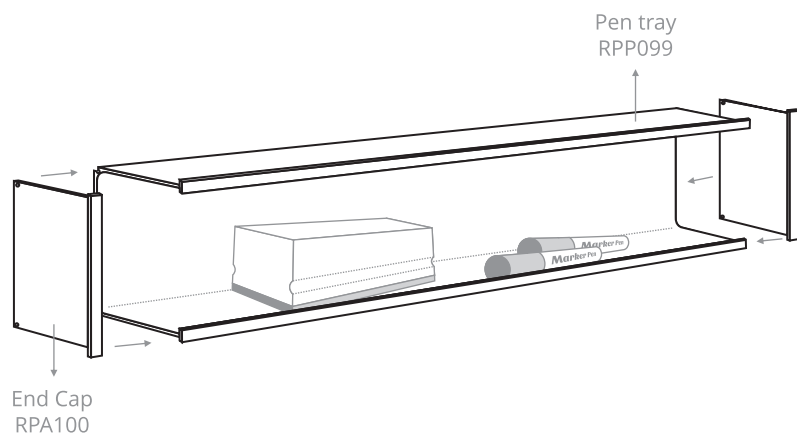
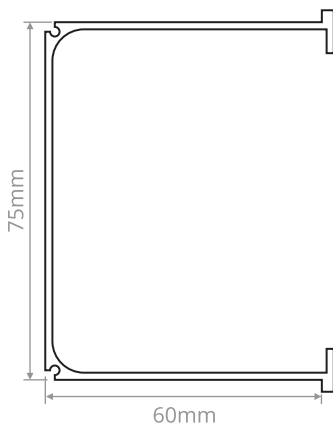
RECESSED PEN TRAY

Description

In the world of shrinking work spaces, where cabins are becoming smaller with time, where discussion rooms are just about big enough for people to enter and sit, the designers are faced with a challenge of effectively utilizing every inch of space.

Pen and duster holders which project out of the wall are obstructions, especially in small cabins, Recessed pen holder is designed to fit in to the gypsum partitions, allowing more free space and aesthetically look good.

- ▶ Recessed pen and duster holder for dry wall partitions.
- ▶ Supplied in length of 2800mm, the profile can be cut to required size.
- ▶ Matching aluminum end caps are available for edges.
- ▶ **Height:** 75mm
- ▶ **Depth:** 60mm
- ▶ **Length:** 2800mm



Pen tray when recessed against wall



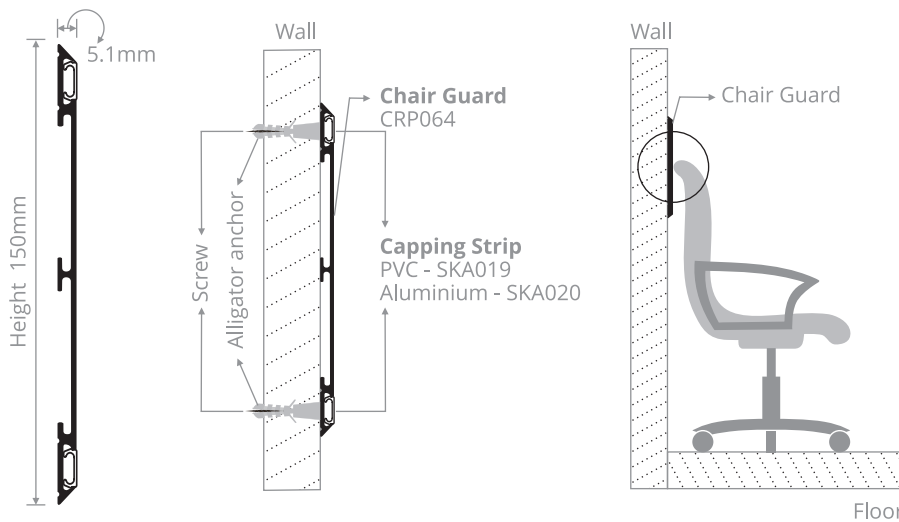
PRODUCT NAME: RECESSED PEN TRAY

SET	SIZE	CODE
Recessed Pen Tray	75mm	RPP099
End cap	Set of 2 pcs	RPA100

CHAIR GUARD



DAMAGE TO THE WALLS CAUSED BY IMPACT OF CHAIRS RESULT IN A RECURRING MAINTENANCE EXPENSE, BOTTOMLINE INTRODUCES CHAIR GUARD WHICH CAN SUBSTANTIALLY REDUCE THESE COST AND ALSO ENHANCE THE AESTHETICS OF THE FACILITY/WORK SPACE. THE CHAIR GUARDS BEING MODULAR ARE EASY TO DELIVER, INSTALL, REMOVE AND REPLACE WITH EASE, SAVING VALUABLE TIME.



Description

- ▶ Designed to be installed on walls, gypsum and plywood partitions
- ▶ Installed using screws, to camouflage the rivet points, a capping strip is provided either in PVC of matching color or aluminium
- ▶ Matching corner guards are provided with the profiles
- ▶ Supplied on site with pre-drilled holes
- ▶ Height: 150mm
- ▶ Length: 3048mm

PRODUCT NAME: CHAIR GUARD

SIZE

CODE

150mm

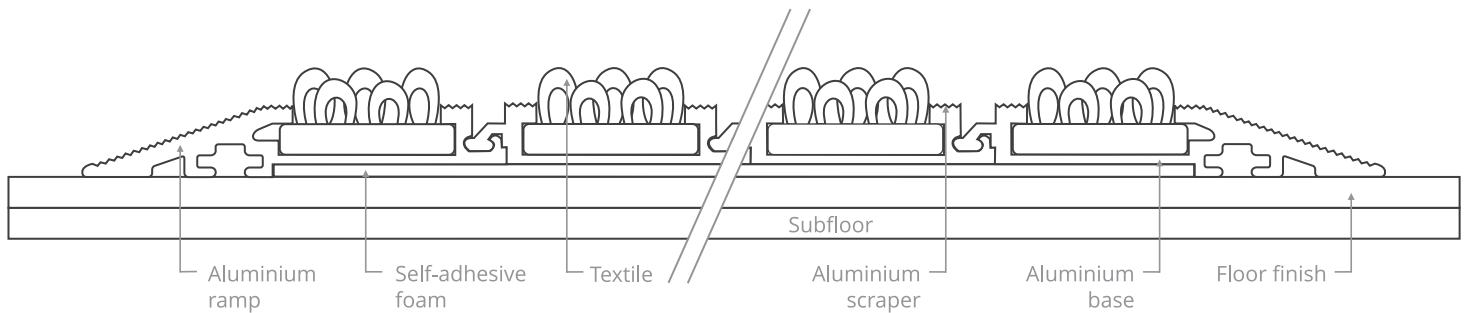
CRP064



StepUp

Description

- ▶ Unique durable design where profiles click into each other
- ▶ StepUp is made from inserting textile in to aluminium retainer
- ▶ Installed on the floor with ramps on all four sides
- ▶ Unlike conventional “use and throw” matting, only inserts need to be changed after its useful life making the system cheaper than the conventional matting
- ▶ Available in multiple of 1 feet in length and width up to maximum of 10 feet on each side



BITWALL – SPACE DIVIDER

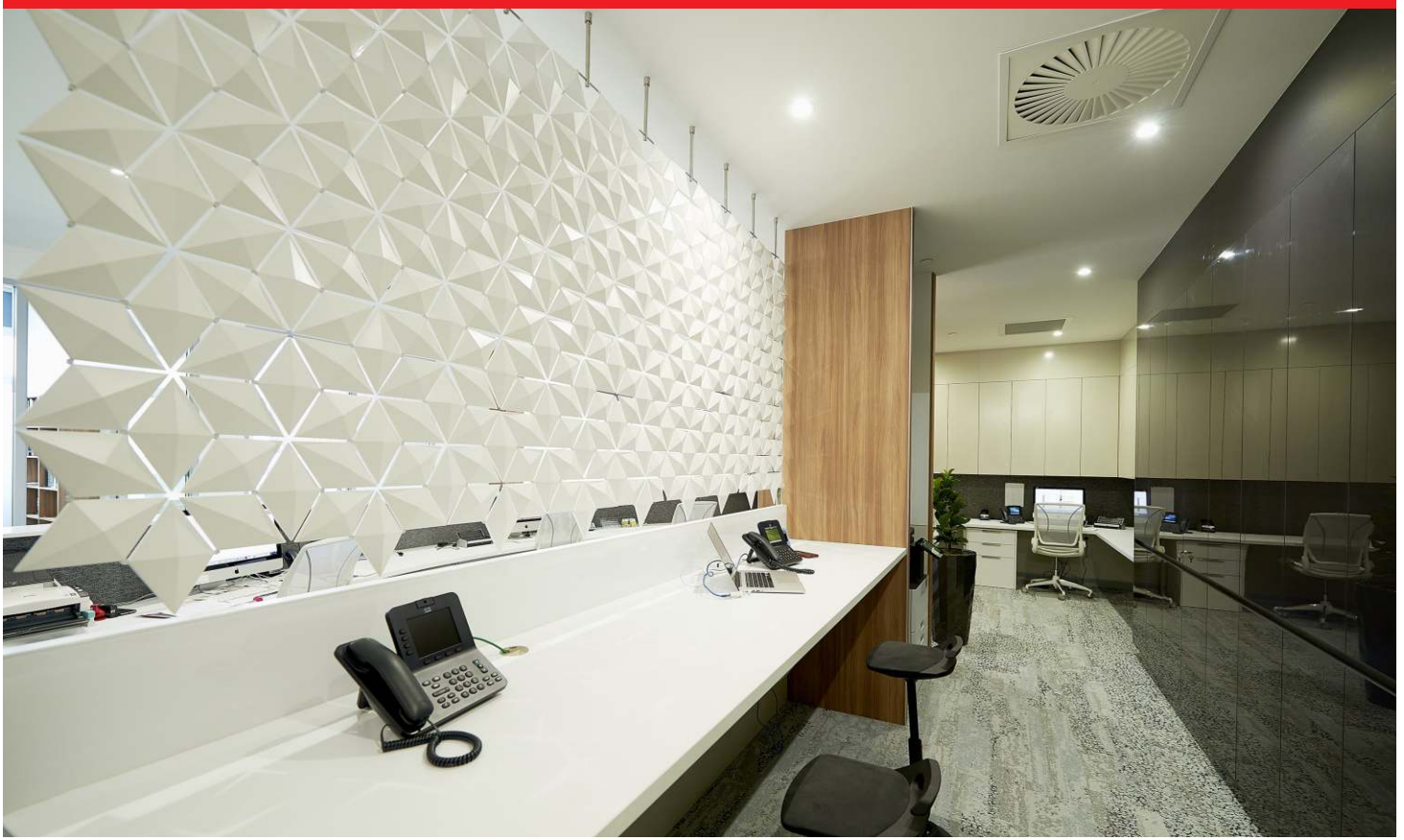
Description

- ▶ Bitwall is amazing space dividing system which can be freely combined to create different patterns.
- ▶ Diamond shaped panels not only create aesthetically attractive look but also rotate separately creating beautiful patterns.
- ▶ Bitwall is hung from the ceiling allowing the panels to be added either horizontally or vertically and offering users the flexibility to create both symmetrical and asymmetrical pattern formations.
- ▶ Bitwall is a fully modular product which is easy to assemble, disassemble and reassemble whenever and wherever you want.
- ▶ Bitwall effectively breaks sound waves, which makes a better acoustic environment.
- ▶ It Can be used as sun blind or space divider.
- ▶ The minimum length of a panel is 525 mm (including attachment mechanism). It is possible to increase the length with steps of 195 mm (up to a maximum of 2865 mm).





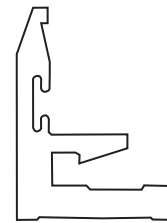
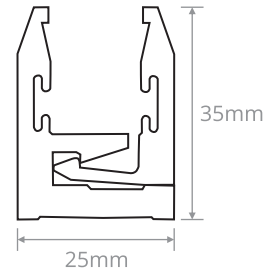
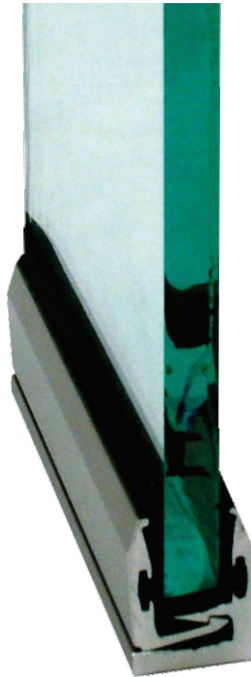




GLASS PROFILE

Description

- ▶ 25mm x 35mm Glazing Profile.
- ▶ Simple & faster fabrication and glass installation.
- ▶ Slim & attractive design, space saving.
- ▶ Designed for 8, 10 or 12 mm glass thickness.
- ▶ Deep cavity in profile provides excellent structural stability.
- ▶ End Caps Available.
- ▶ Length : 2500mm / 2800mm / 3048mm



GP2535.02



GP2535.03

