

bottomline®

We are pleased to introduce the new 2017 catalogue that summarizes all the articles of our production.

With your valuable suggestions and constant attention to trends in contemporary design, we have further expanded our ranges to make it even more complete.

We have always strived to provide products which are modular and can be delivered, installed, maintained, removed and replaced with ease, saving valuable and money.

The Same Philosophy is the core of all the new products which we introduce.

Index

Product	Page
A. MODULAR SKIRTING	
1. Easy Fix	06-07
2. Easy Stick	08-09
3. illusion - Recessed	10
4. illusion - Finline	11
5. Expression	12
6. Easy Click	13
7. Bello - PVC Skirting	14-15
B. PROFILES FOR FLOORS	
I. Profiles for different height	
1. Flexi Series	18-19
2. Reflex Series - Adaptor Base	20
3. Reflex Series - Aluminium Base	21
4. Z Pro	22-23
5. PVC Edge Profile	24-27
6. PVC Junction Profile	24-27
7. Protect - Incline Series	28
II. Profiles for same height	
1. Protect - Fine Line Series	29
2. Protect - Broad Line Series	30
3. Protect - Classic	31
III. Stair Nosing	
1. Stair Nosing	32
2. Protect - Top Edge	33
C. REVEALS	
1. Reveals RG	36-39
D. PROFILES FOR WALL / CORNERS / EDGES	
I. Decorative and Edge Profiles	
1. Hat profiles	40
2. T Profiles	41
3. L Profiles	42
4. T Round	43

Product	Page
5. W Profile	43
6. Listellos	44
II. Corner and Edge Profiles	
1. Vertex - Quarter Series	45
2. Vertex - Angle Series	46
3. Vertex - Straight Series	47
4. Fine Edge - Curve Series	48
5. Fine Edge - Inner Curve	48
6. Nap Trim	49
III. Corner Guards	
1. Aluminium Corner Guard Series	50-51
2. Gypsum Corner Guard	52
3. PVC Corner Guard Series	53
4. Flexible Corner Guard Series	54-55
5. Textured PVC Corner Guard Series	56-57
E. PEN TRAY	
1. Recessed Pen tray - 75mm	58-59
F. CHAIR GUARD	
1. Aluminium Chair Guard - 150mm	60
G. ENTRANCE MATTING SYTEM	
1. StepUp Entrance Matting System	61
H. SPACE DIVIDER	
1. Bitwall	62-65
I. GLASS PROFILE	
1. Glass Profile - 25mm x 35mm	66-67
J. PARTITION SYSTEM / DOOR FRAMES / DOOR STILES	
1. 45 Series	68-76
2. 85 Series	77-81
3. 100 Series	82-87
4. Door Stile Series	88-89
K. ACCESSORIES	
	90
L. INDEX BY CODE	
	91-92



modular skirtings



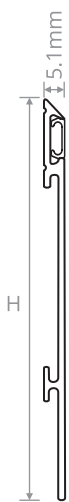
BOTTOMLINE'S
RANGE OF SKIRTING IS
EVEN MORE EXTENSIVE NOW
WITH **8 DIFFERENT SHAPES** AND
17 DIFFERENT HEIGHT OPTIONS
TO CHOOSE FROM

Easy Fix



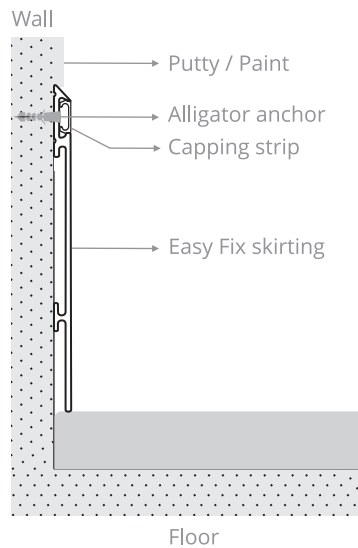
Description

- ▶ Designed to be installed on wall, gypsum and plywood partitions and on top of all kinds of flooring
- ▶ Installed using screws, to camouflage the rivet points, a capping strip is provided either in PVC of matching color or aluminium
- ▶ Supplied with pre-drilled holes
- ▶ Supplied with protection tape which is removed after completion
- ▶ Matching corner guards are provided with the profiles
- ▶ **Height:** 50mm / 75mm / 100mm / 150mm
- ▶ **Length:** 3048mm



H = Height options:
50mm / 75mm /
100mm / 150mm

Capping strip options:
PVC / Aluminium



PRODUCT NAME: EASY FIX	
SIZE	CODE
50mm	SKP001
75mm	SKP002
100mm	SKP003
150mm	SKP004

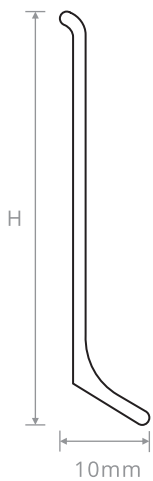


Easy Stick

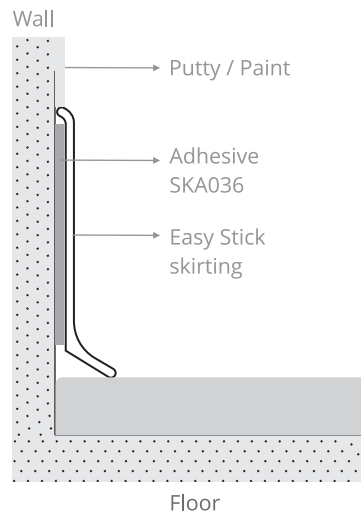


Description

- ▶ Slim design of the profile gives a recessed look
- ▶ The capped toe design of the profile covers wall to floor expansion gaps making it an ideal profile for tiled/wooden floor coverings
- ▶ The profiles are installed using high tack adhesive making the installation fast and easy on any surface, including plywood and gypsum partitions
- ▶ Supplied with protection tape which is removed after completion Matching inner, outer corner and end cap complete the range
- ▶ **Height:** 60mm / 80mm / 100mm
- ▶ **Length:** 3048mm



H = Height in mm
 60mm
 80mm
 100mm



PRODUCT NAME: EASY STICK	
SIZE	CODE
60mm	SKP021
80mm	SKP022
100mm	SKP023



illusion recessed

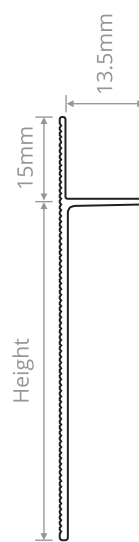


PRODUCT NAME: **ILLUSION RECESSED**

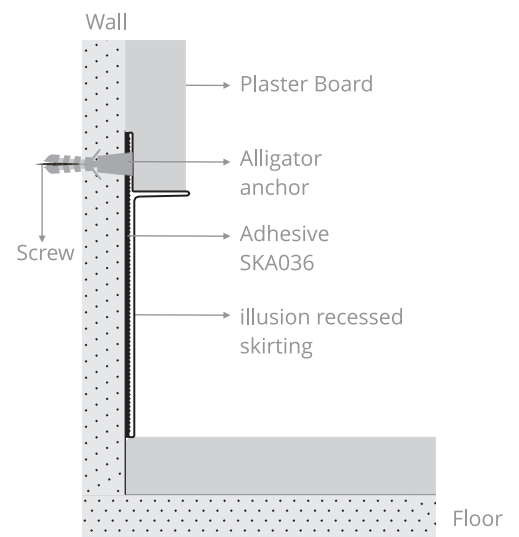
SIZE	CODE
40mm	SIP117
60mm	SIP116

Description

- ▶ illusion recessed is a skirting designed to be integrated with dry wall partition.
- ▶ Provides a neat finish to the base of the plasterboard walls.
- ▶ Gypsum although a ideal material for dry wall partition is susceptible to water, illusion recessed is an ideal skirting for areas where wet mopping is done on regular basis.
- ▶ **Height:** 40mm / 60mm
- ▶ **Length:** 3048mm



H = Height in mm
40mm / 60 mm



illusion fineline



Description

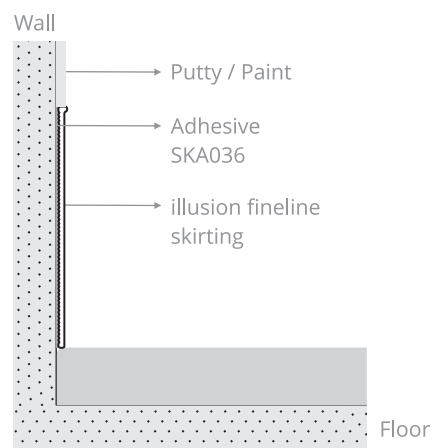
- ▶ illusion fineline is a skirting designed to be flushed to the wall.
- ▶ Provides a sleek look.
- ▶ illusion fineline along with illusion recessed is an ideal combination of skirting for offices where dry wall partitions are created along the periphery on civil walls.
- ▶ **Height:** 40mm / 60mm
- ▶ **Length:** 3048mm



H = Height options
40mm / 60mm

PRODUCT NAME: ILLUSION FINELINE

SIZE	CODE
40mm	SIP119
60mm	SIP118



expression

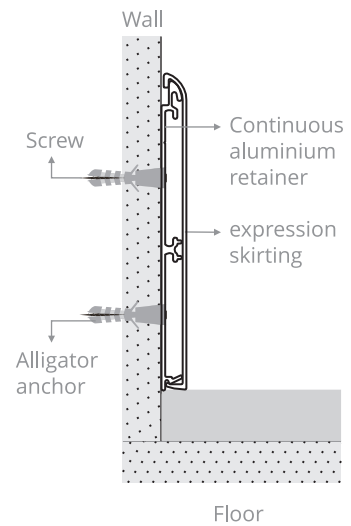


Description

- ▶ Expression is a premium skirting which combines good esthetics with high impact resistance.
- ▶ An all aluminium skirting along with curved top edge provides an excellent finish.
- ▶ Expression is a two part skirting with retainer installed to the wall with screws and the cover profile, which clicks to the retainer.
- ▶ **Height:** 60mm / 80mm / 100mm
- ▶ **Length:** 3048mm



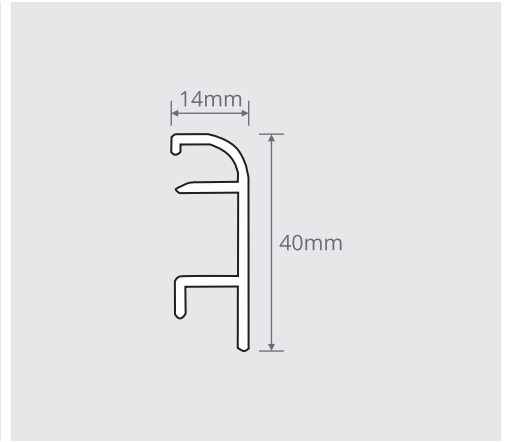
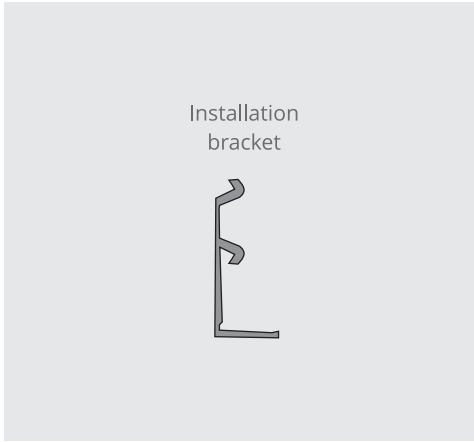
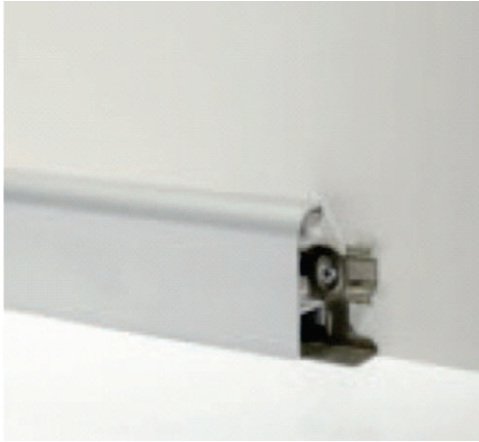
H = Height options
60mm / 80mm / 100mm
Length
3048mm



PRODUCT NAME: EXPRESSION

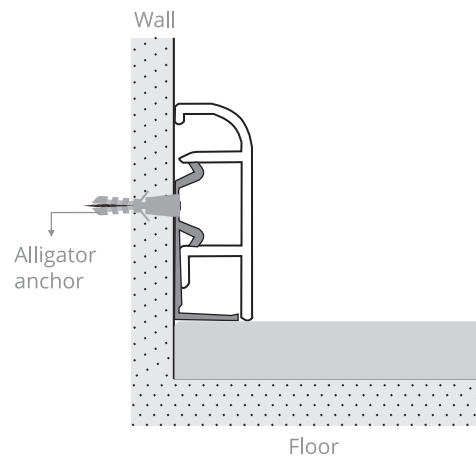
SIZE	CODE
60mm	SEP111
80mm	SEP112
100mm	SEP113

Easy Click - 40



Description

- ▶ 40mm high skirting with curved top.
- ▶ Installed with simple and functional stainless steel clips for easy and fast installation.
- ▶ 14mm projection from wall covers wall to floor expansion gaps making it ideal skirting for tiled / wooden floor coverings.
- ▶ **Length:** 3048mm



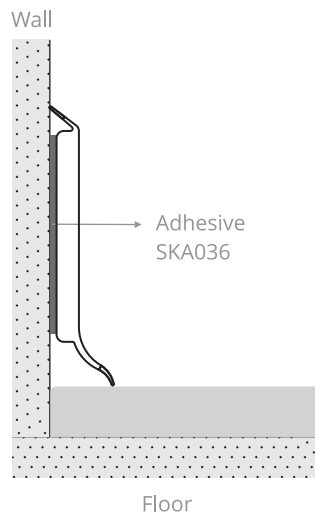
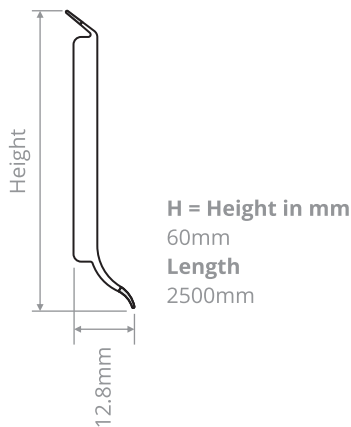
PRODUCT NAME: EASY CLICK 40	
SIZE	CODE
40mm	SCP158

bello

PVC SKIRTING

Description

- ▶ PVC Skirting with Textured Finish.
- ▶ Available in accent colors and wooden finishes to match the décor.
- ▶ Flexible Lip on top and bottom of the skirting covers undulations in wall and floor.
- ▶ Highly scratch resistant surface.
- ▶ Extremely light in weight.
- ▶ Covers wall to floor expansion gaps.
- ▶ Inner and Outer corners are formed with miter tool providing seamless corners.
- ▶ **Height:** 60mm
- ▶ **Length:** 2500mm



PRODUCT NAME: BELLO, PVC SKIRTING

COLORS	CODE
	600101
	601236
	600272
	600525
	600538
	608699
	608662
	608703
	608619
	608702
	690865
	601594

bello


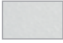
PVC SKIRTING FOR RESILIENT FLOORS



Description

- ▶ Skirting for PVC / Linoleum or any resilient flooring not thicker than 3.5mm.
- ▶ Skirting is designed to support the flooring material on the wall.
- ▶ Flexible Lip in bottom of the skirting covers undulations in the floor.
- ▶ **Height:** 60mm
- ▶ **Length:** 2500mm

PRODUCT NAME:
BELLO, PVC SKIRTING FOR RESILIENT FLOORS

COLORS	CODE
	690880
	608695

