

partition systems



PARTITION SYSTEMS

BOTTOMLINE PARTITION SYSTEMS HAVE BEEN DESIGNED TO PROVIDE MAXIMUM FLEXIBILITY, EMPOWERING ARCHITECTS, BUILDERS AND CONTRACTORS TO REVOLUTIONIZE TOMORROW'S WORKSPACE. CHOOSE FROM A SELECTION OF MODERN AND STYLISH DESIGNS TO ENHANCE YOUR OFFICE OR COMMERCIAL AREA.

Advantages

Flexibility:

Bottomline partition systems are available in various sizes, the profiles can be configured in many unique ways depending on the requirements.

Best in industry lead time:

All Bottomline profiles are available ex-stock in India, big requirements can be delivered in 2 to 5 weeks. With delivery schedules as low as hours and days, changes in site requirements are easier to deal with.

Length Options:

All profiles are available in 2.50/2.80 meter Length options, the profiles can be ordered as per project requirements reducing wastage, which at times are as high as 30%.

Design considerations

- ▶ Maximum stud spacing is 600mm
- ▶ Maximum height is 3.05 Mtrs
- ▶ Maximum unsupported span without lateral support is 3.05 Mtrs.

Specifications

Frame Options:

- ▶ 45mm X 20mm
- ▶ 85mm X 20mm
- ▶ 100mm X 20mm

Glazing Options:

Single Glazed 8mm, 10mm & 12mm

Door Options:

- ▶ Hinged flushed doors of 32mm-45mm in thickness.
- ▶ Frameless Glass doors of 8mm-12mm in thickness.
- ▶ Aluminium Door Stile of 35mm or 45mm in thickness.

Acoustic Performance:

- ▶ 33 – 40 db STC



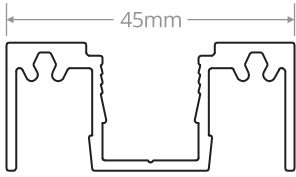
Note: The acoustic performance estimate is expressed in terms of R_w and $R_w + C_{tr}$. The performance of the system may be affected by sound flanking and or the effectiveness of workmanship, glass manufacturer and other elements.



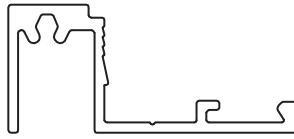


LINEAR 45

Section Index



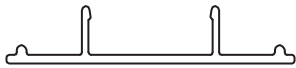
45.01 Mullion



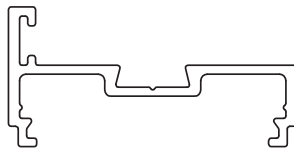
45.02 Glazing Mullion



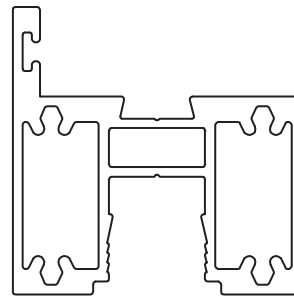
45.03 Glazing Head



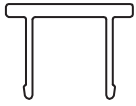
45.06 Mullion Infill



45.04 Door Stop



45.05 Door Frame



D 04 Dummy



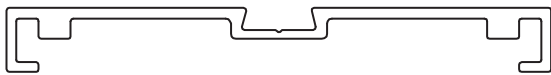
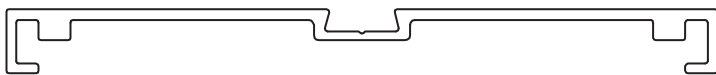
I Profile



L Profile



T Profile

85.10
Slim
frame110.10
Slim
frame

Specifications

Frame options:

45mm x 20mm

Glazing options:

Single glazed 8mm - 10mm as per

AS1288 - 2006

Door options:

HINGED - Timber Doors 32mm -

38mm in thickness

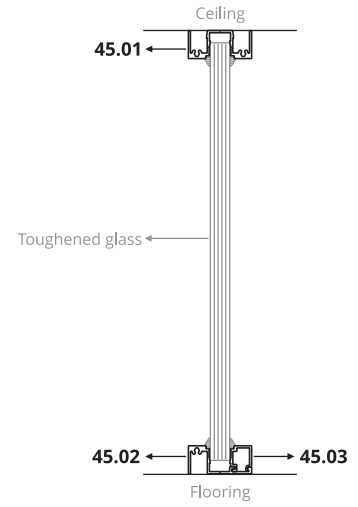
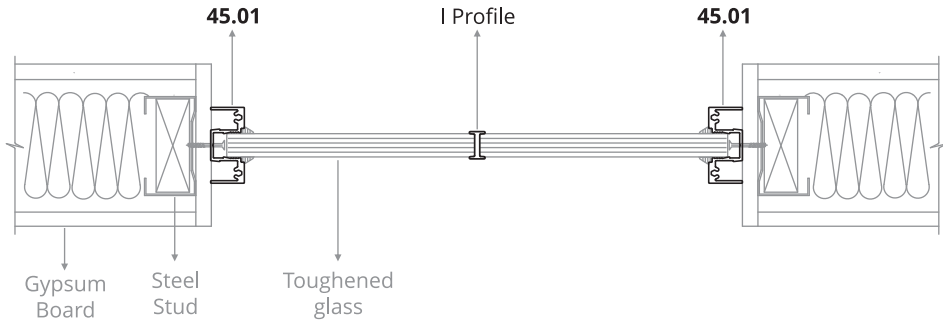
Frameless Glass doors of 8mm-

12mm in thickness.

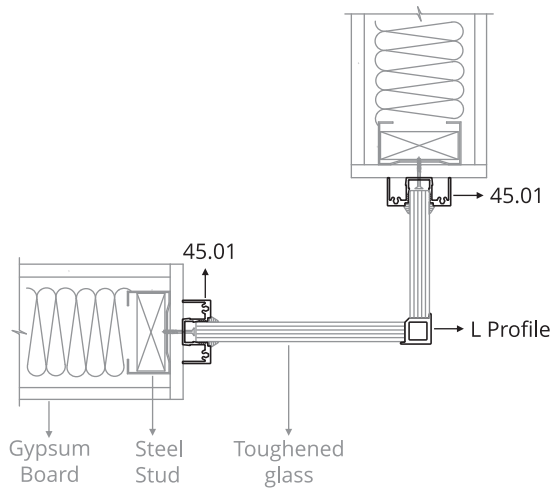
Aluminium Door Stile of 35mm in thickness.

SLIDING - Timber or Aluminium

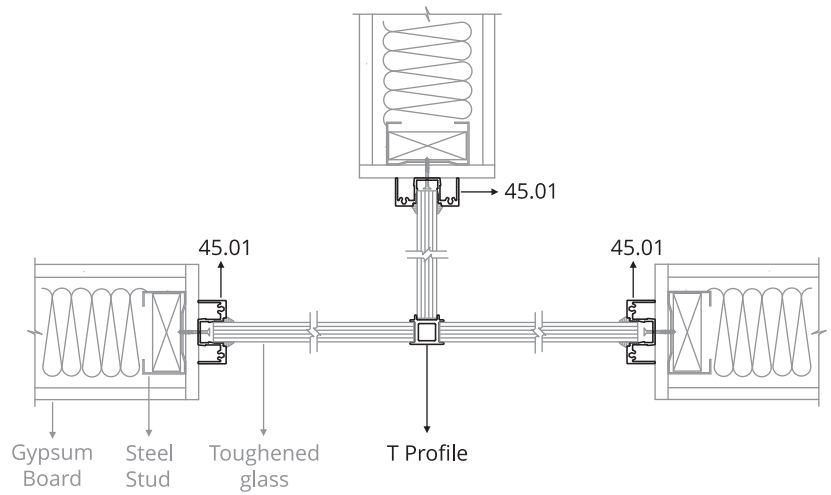
Doors 35mm-38mm in thickness



ED.1

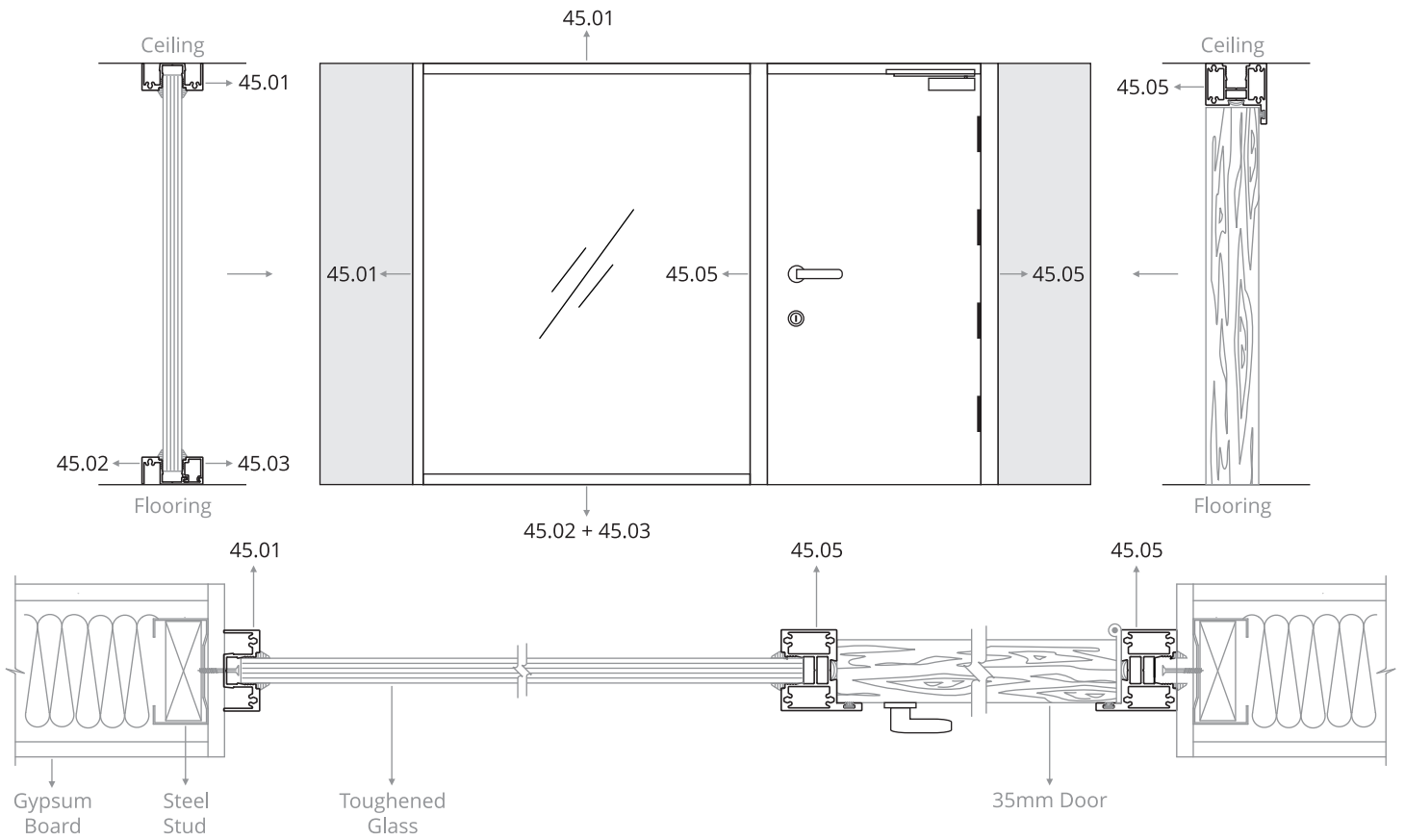


ED.2

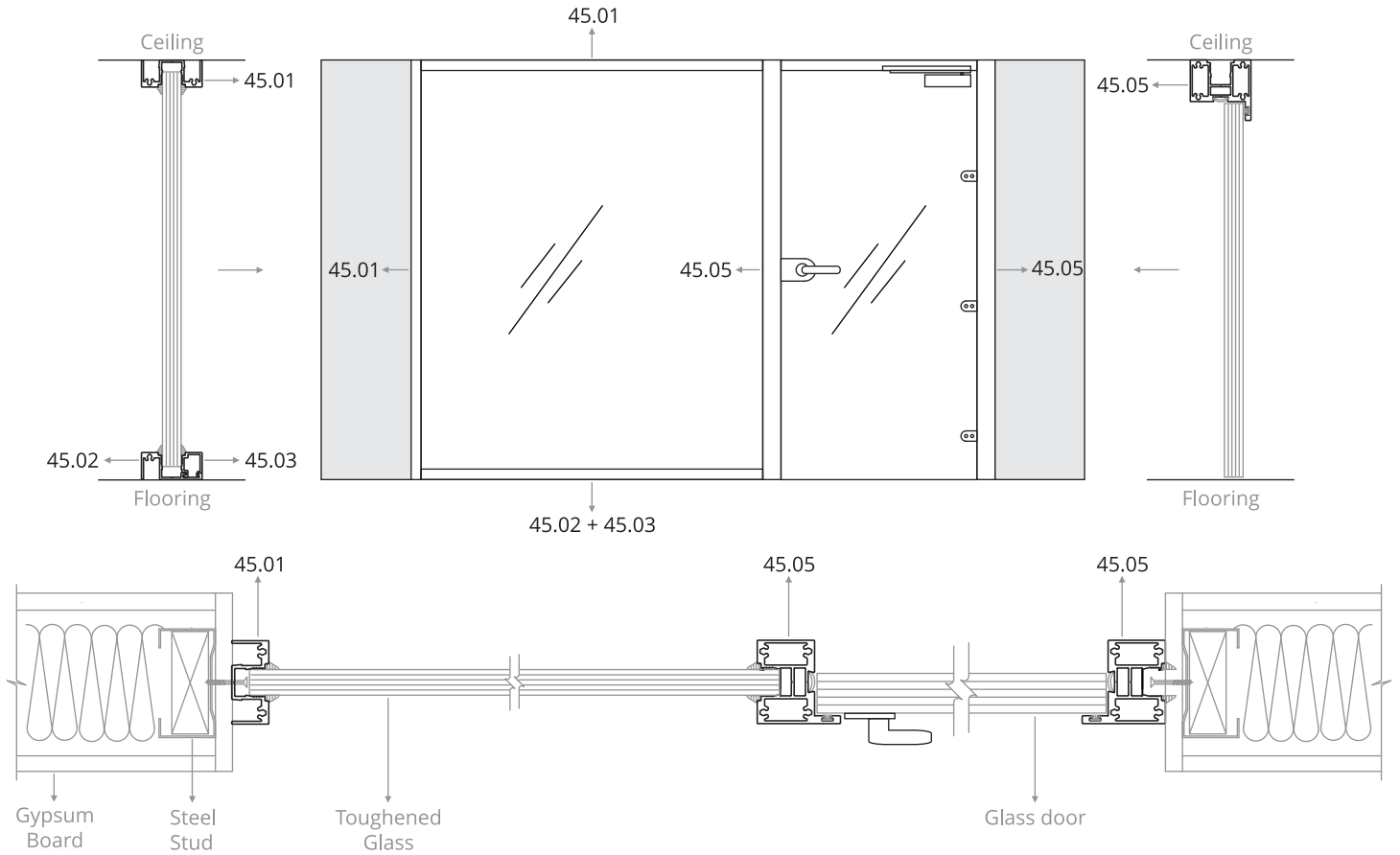


ED.3

PARTITION SYSTEM

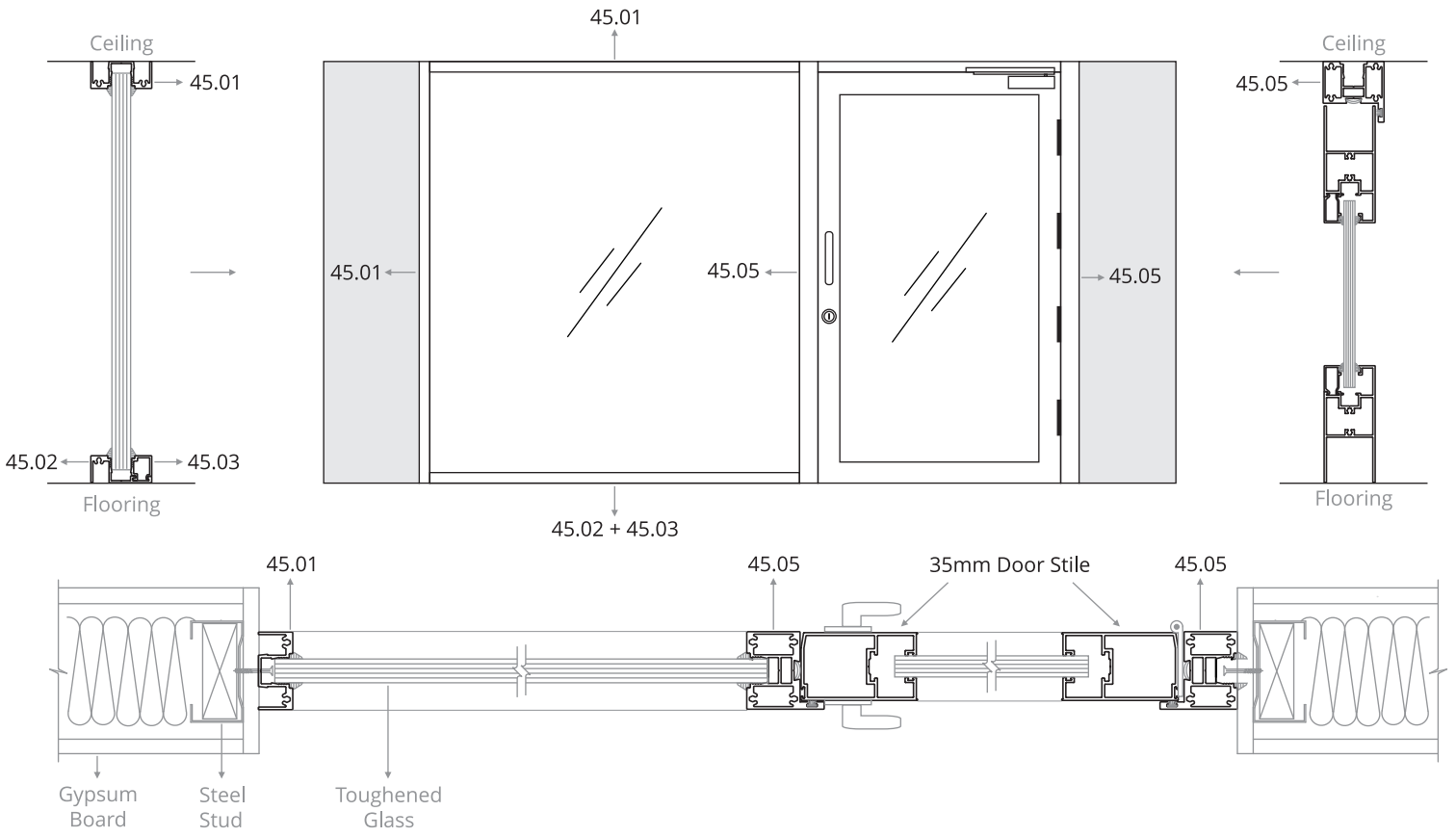


ED.4

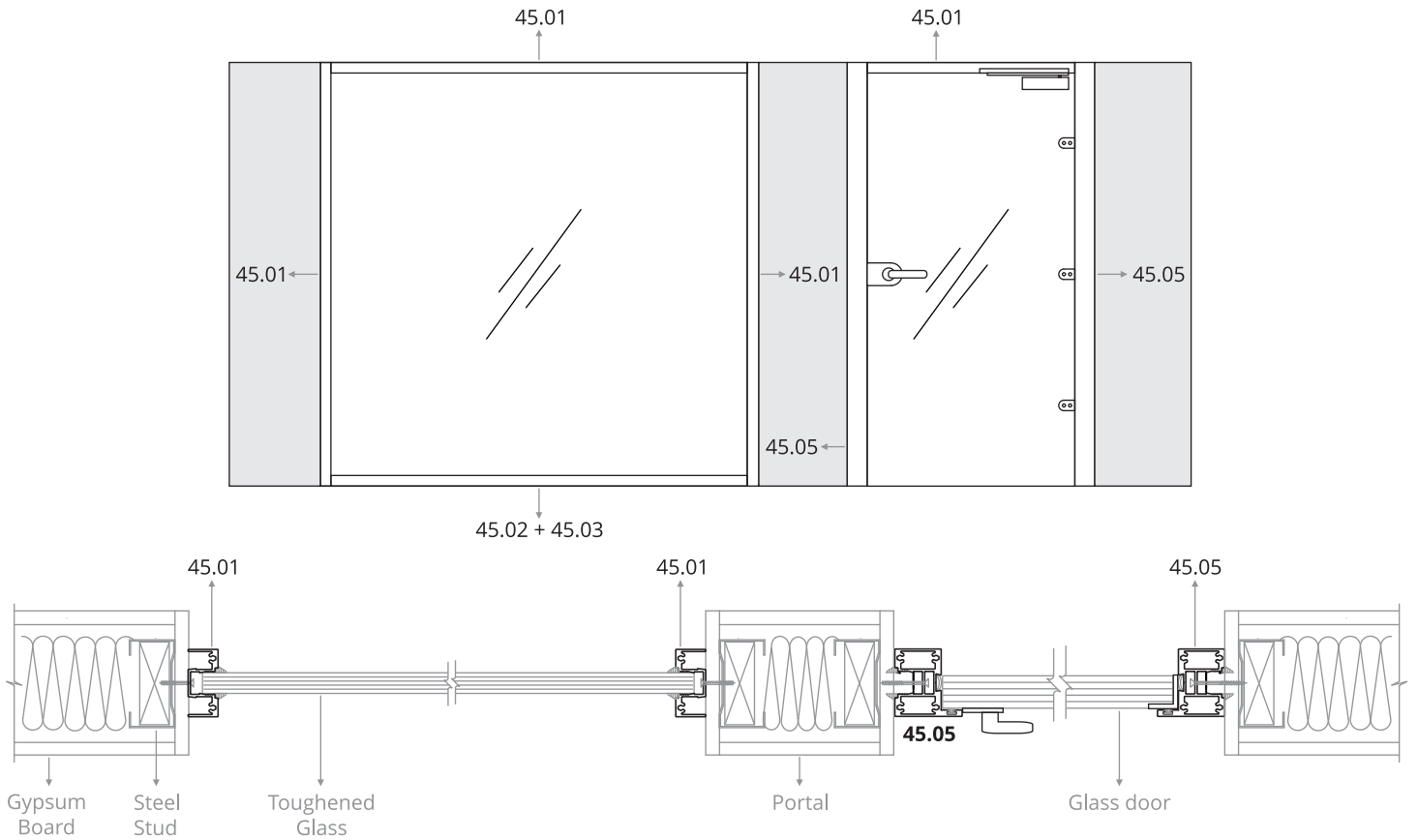


ED.5

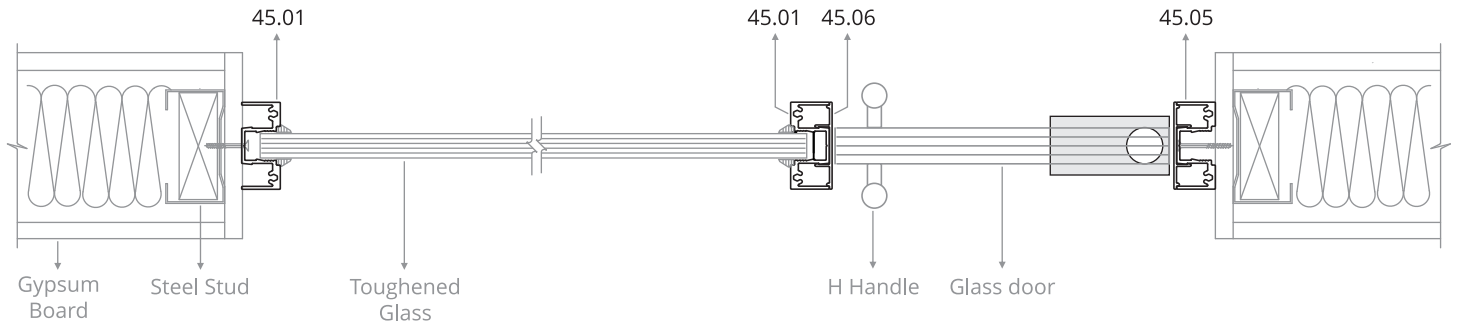
PARTITION SYSTEM



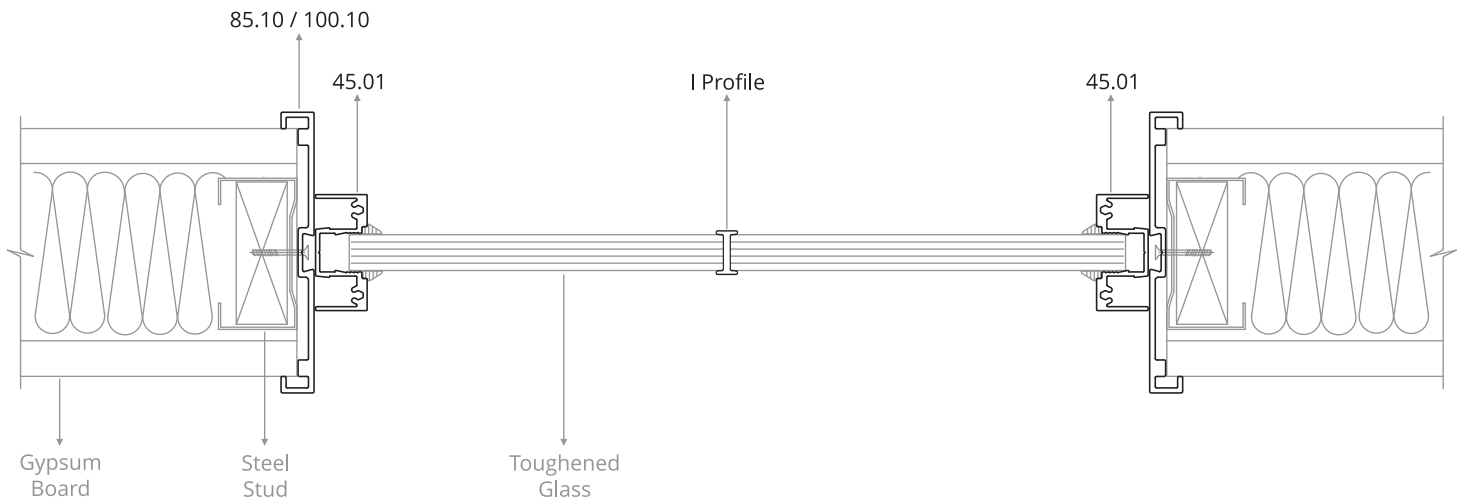
ED.6



ED.7



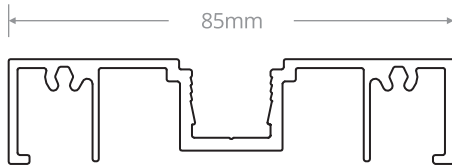
ED.8



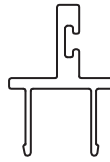
ED.9

85 SERIES

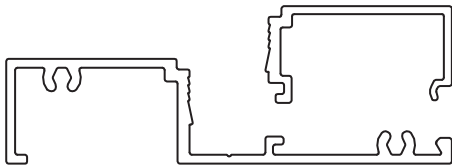
Section Index



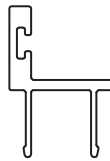
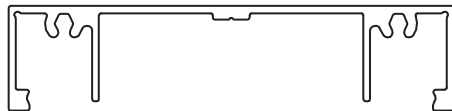
85.01 - Mullion

DS.01 Door Stop
35mm Door stop in 85 Series

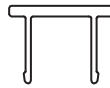
85.03 - Glazing Mullion Head



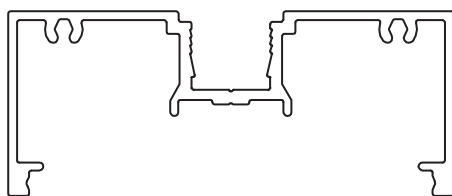
85.02 - Glazing Mullion

DS.02 Door Stop
45mm Door stop in 85 Series

85.04 - Head Track



D.04 Dummy



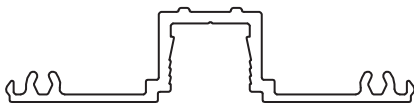
85.05 - Back to back Mullion



I Profile



L Profile



85.07 - Frame Head



T Profile

Specifications

Frame options:

85mm x 20mm

Glazing options:

Single glazed 8mm - 10mm as per AS1288 - 2006

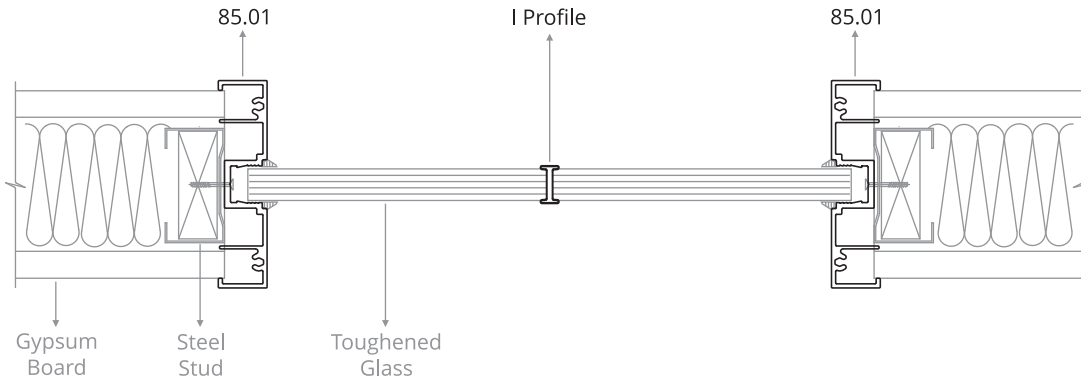
Door options:

HINGED - Timber Doors 32mm - 45mm in thickness

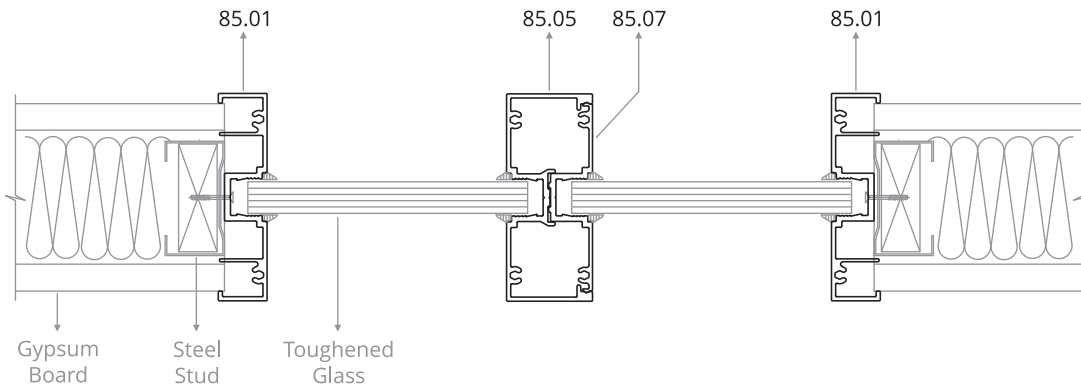
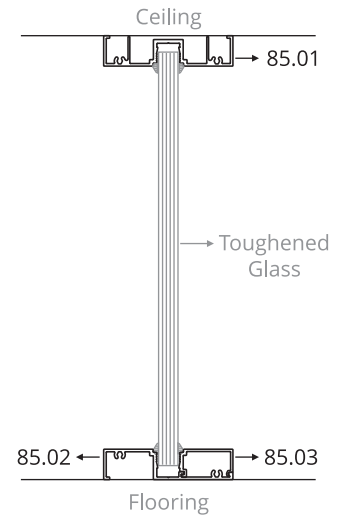
Frameless Glass doors of 8mm-12mm in thickness.

Aluminium Door Stile of 35mm-45mm in thickness.

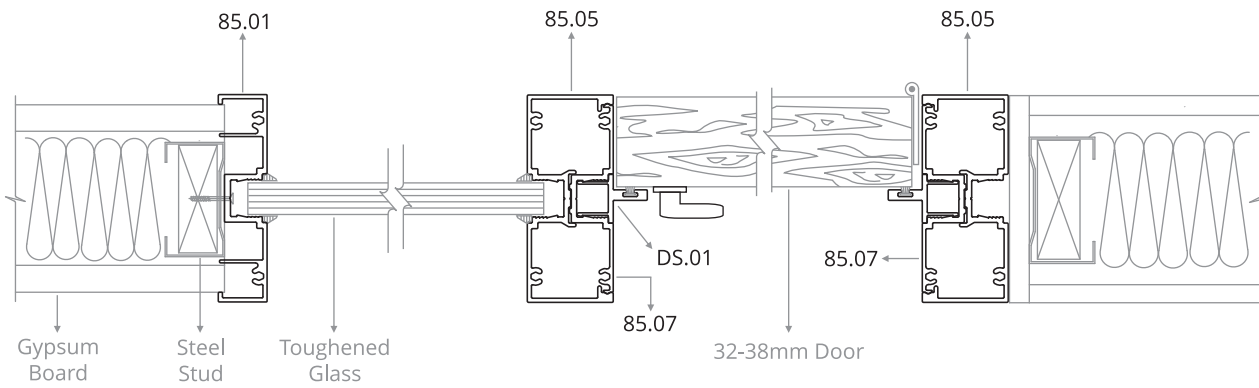
SLIDING - Timber or Aluminium Doors 35mm-45mm in thickness



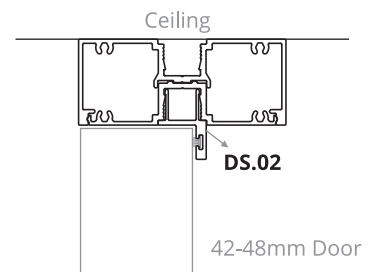
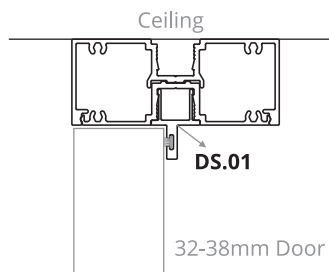
ED.10



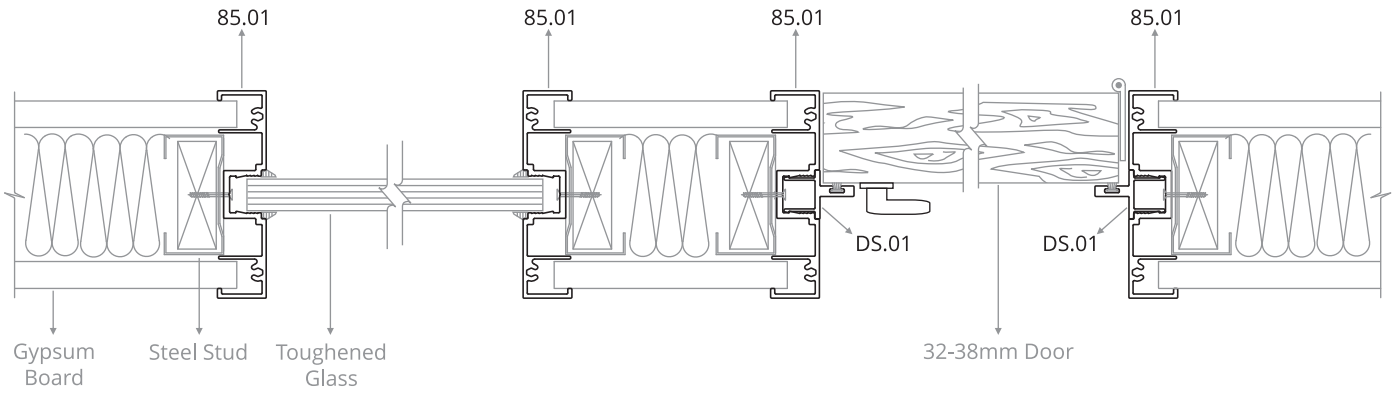
ED.11



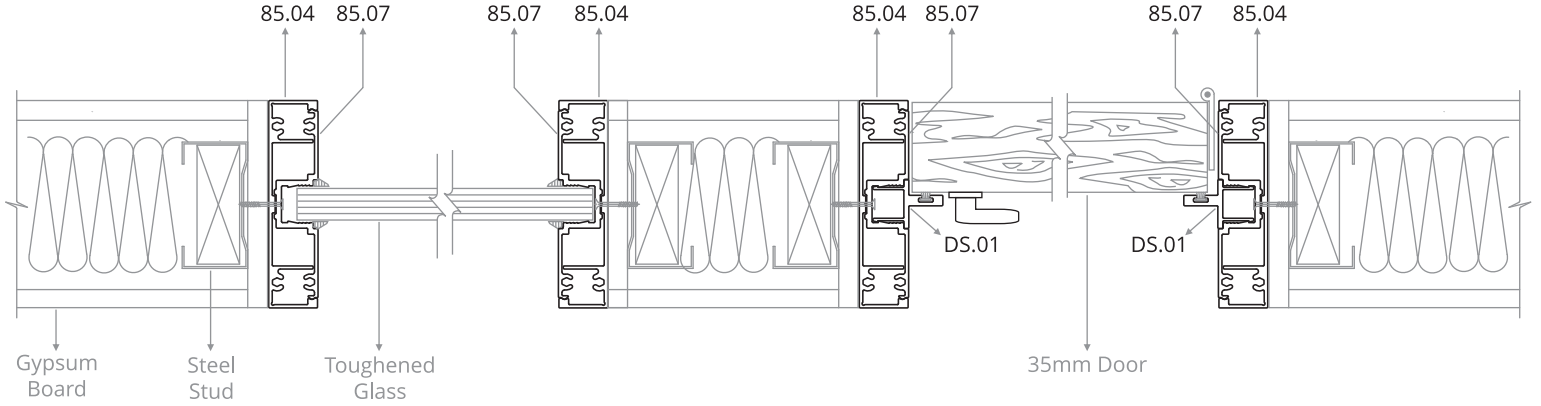
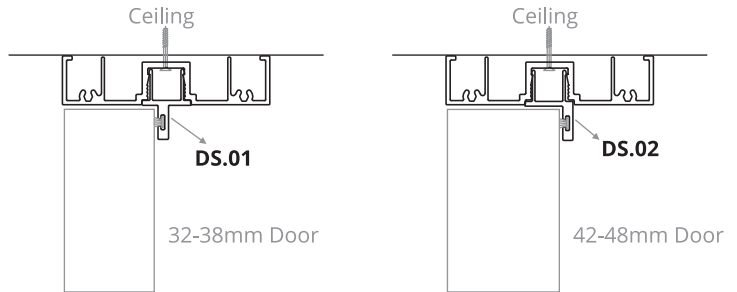
ED.12



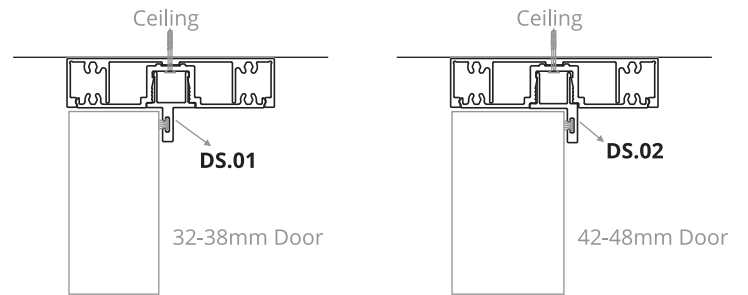
PARTITION SYSTEM

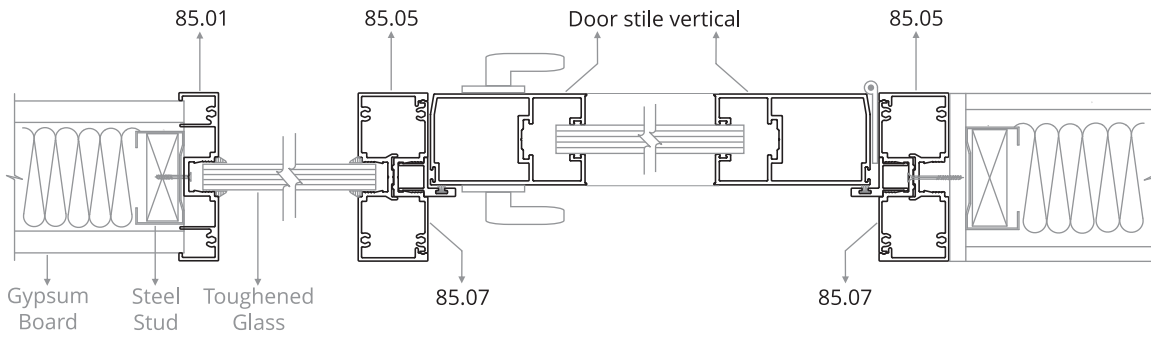


ED.13

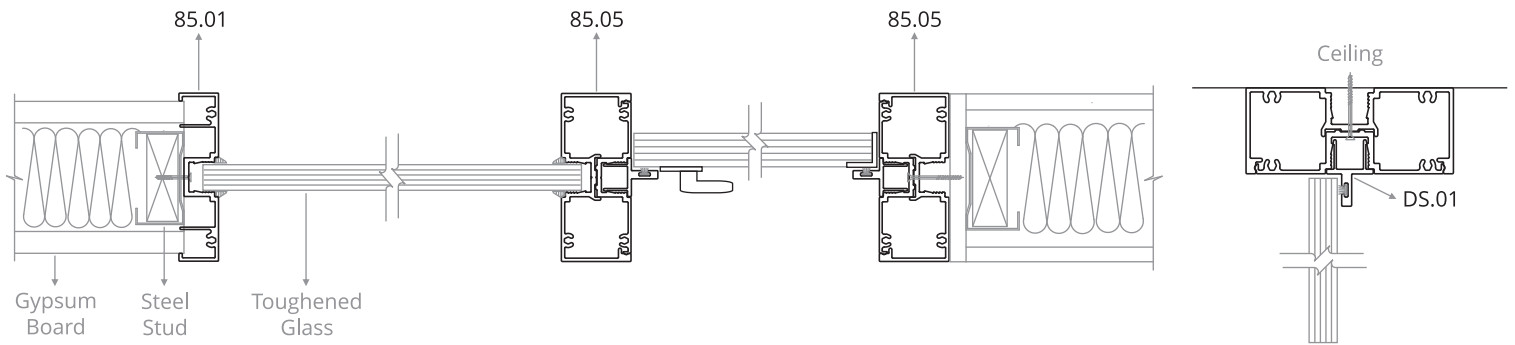
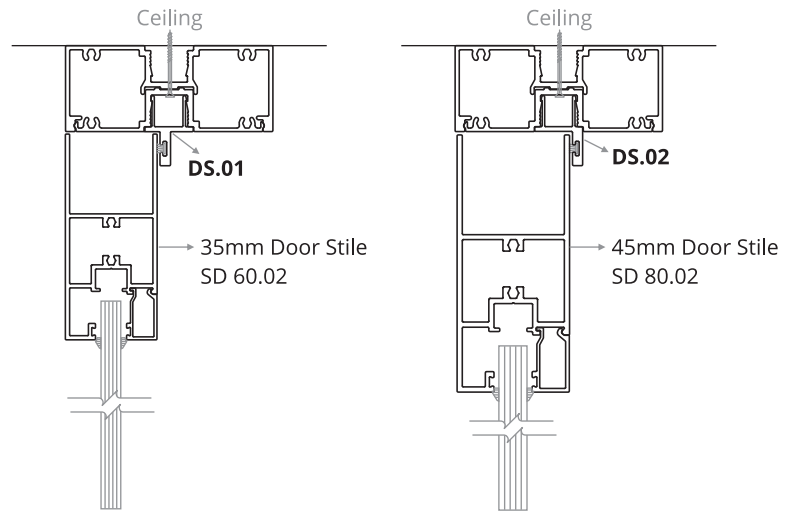


ED.14





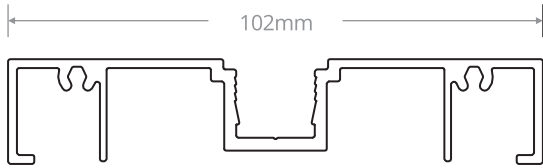
ED.15



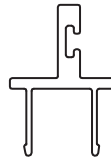
ED.16

100 SERIES

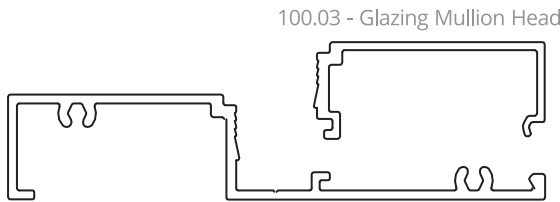
Section Index



100.01 - Mullion

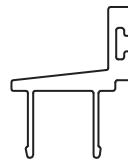


DS.01 Door Stop
42-48mm Door stop in 100 Series



100.02 - Glazing Mullion

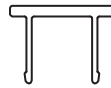
100.03 - Glazing Mullion Head



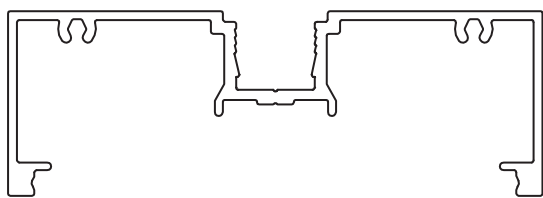
DS.03 Door Stop
32-38mm Door stop in 100 Series



100.04 - Head Track



D 04 Dummy



100.05 - Back to back Mullion



I Profile



L Profile



100.07 - Frame Head



T Profile

Specifications

Frame options:

100mm x 20mm

Glazing options:

Single glazed 8mm - 10mm as per AS1288 - 2006

Door options:

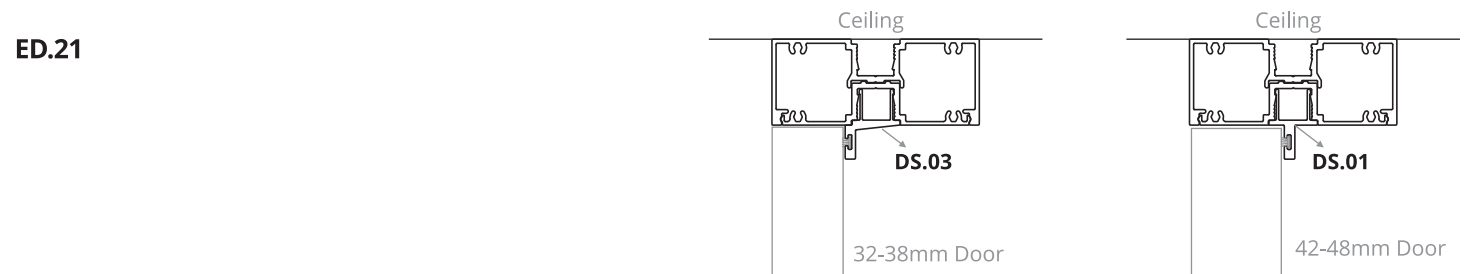
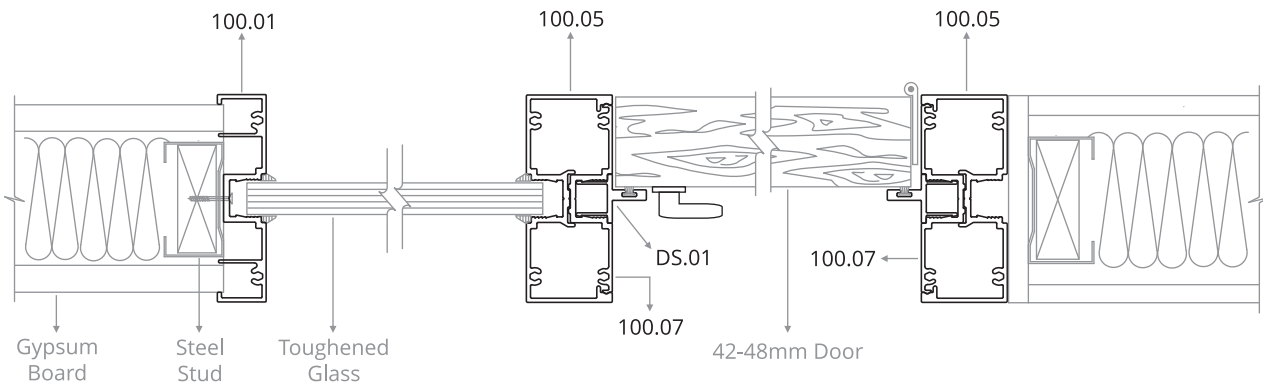
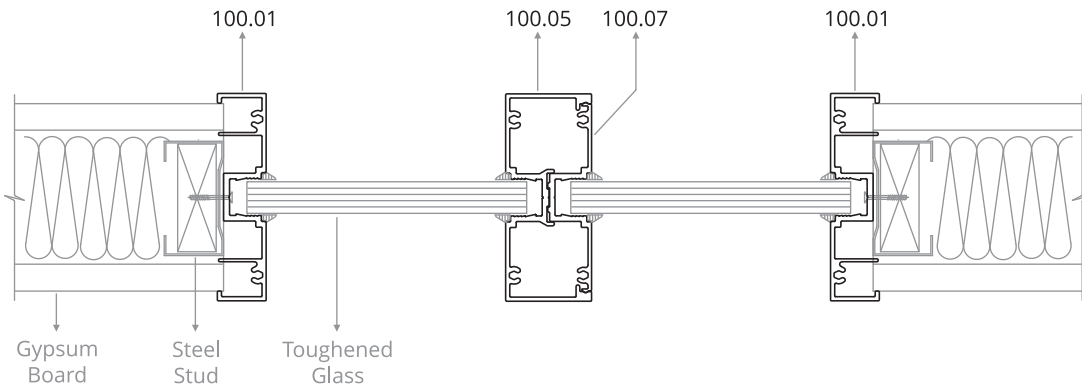
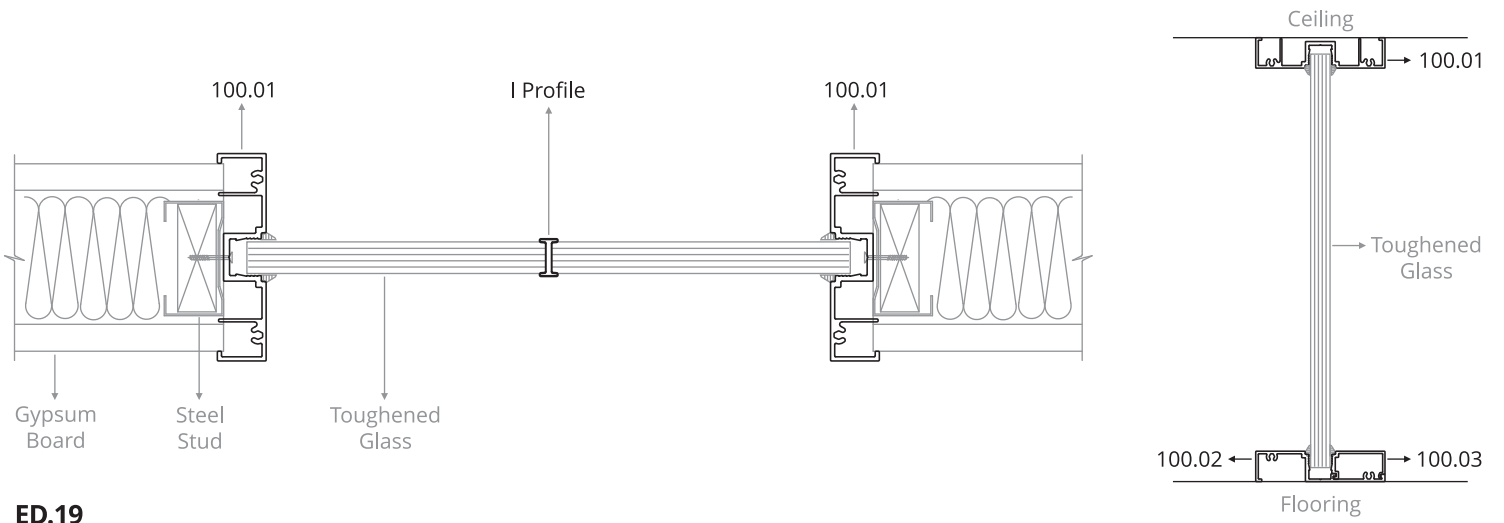
HINGED - Timber Doors 32mm - 45mm in thickness

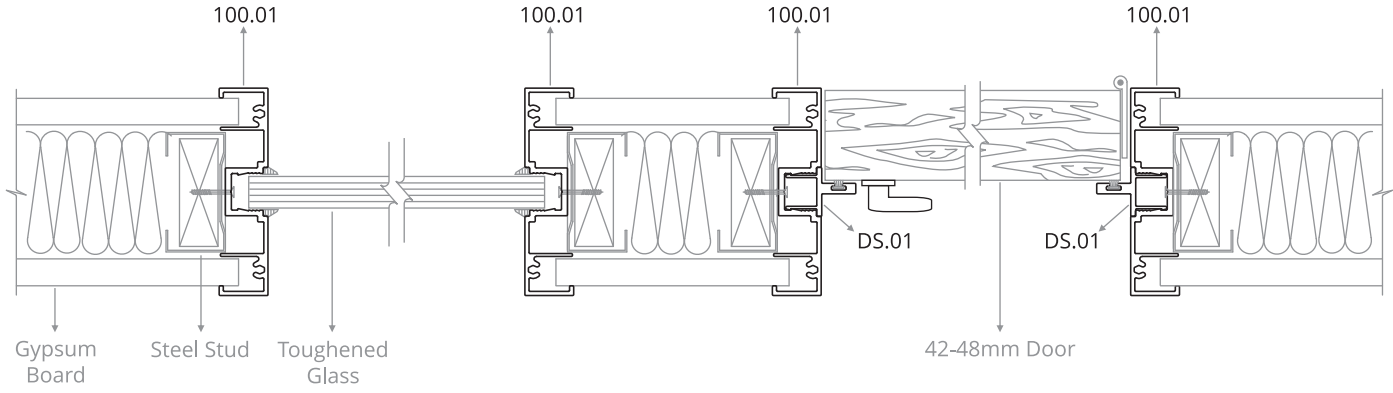
Frameless Glass doors of 8mm-12mm in thickness.

Aluminium Door Stile of 35mm-45mm in thickness.

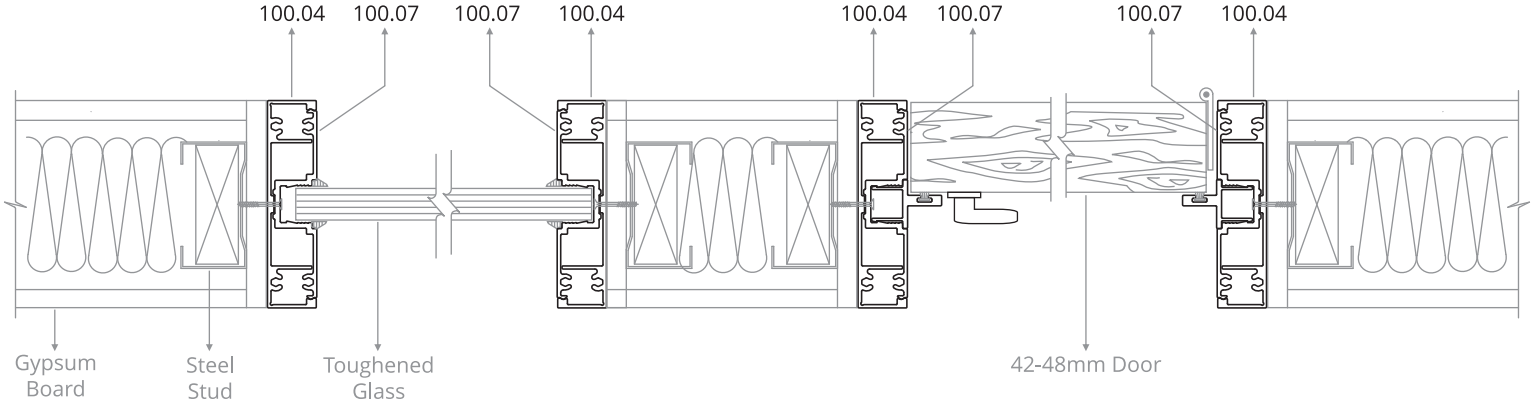
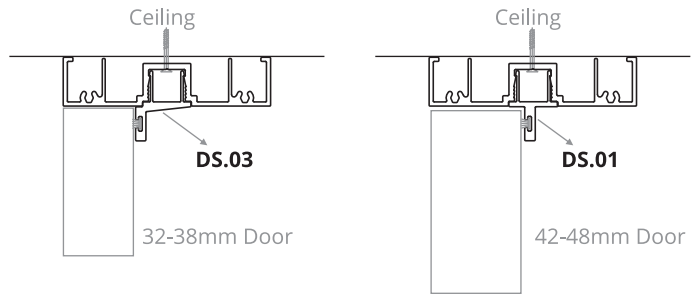
SLIDING - Timber or Aluminium Doors 35mm-45mm in thickness

PARTITION SYSTEM

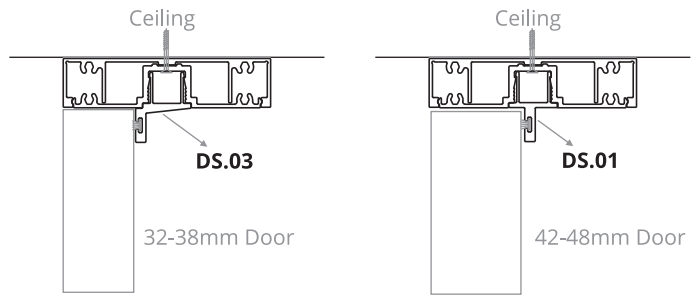


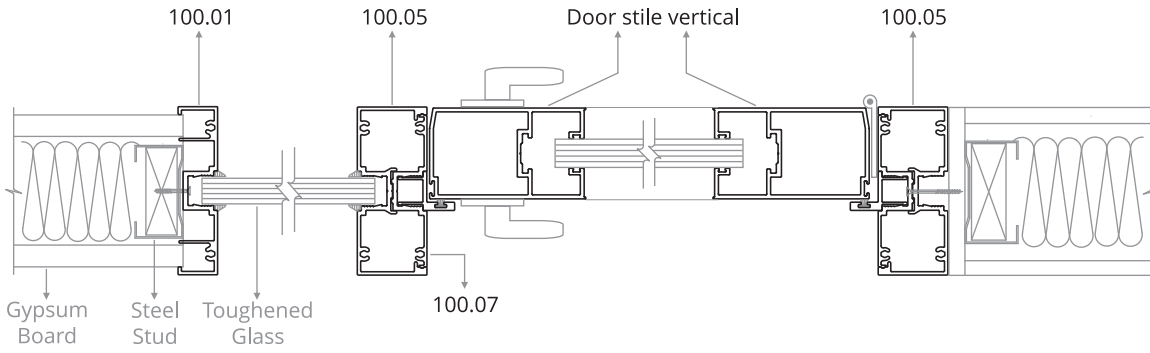


ED.22

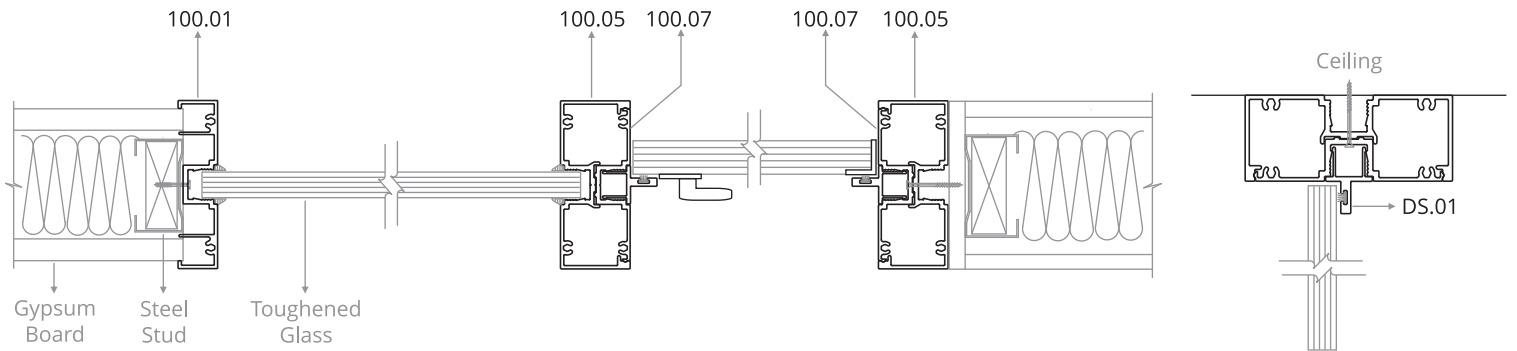
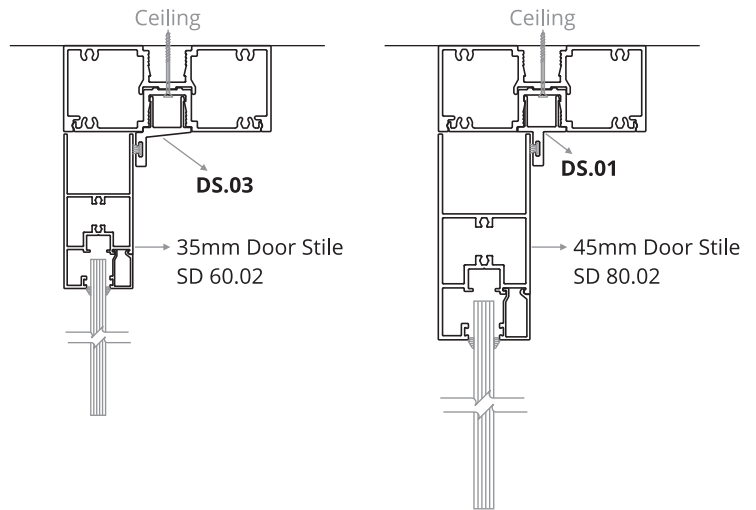


ED.23

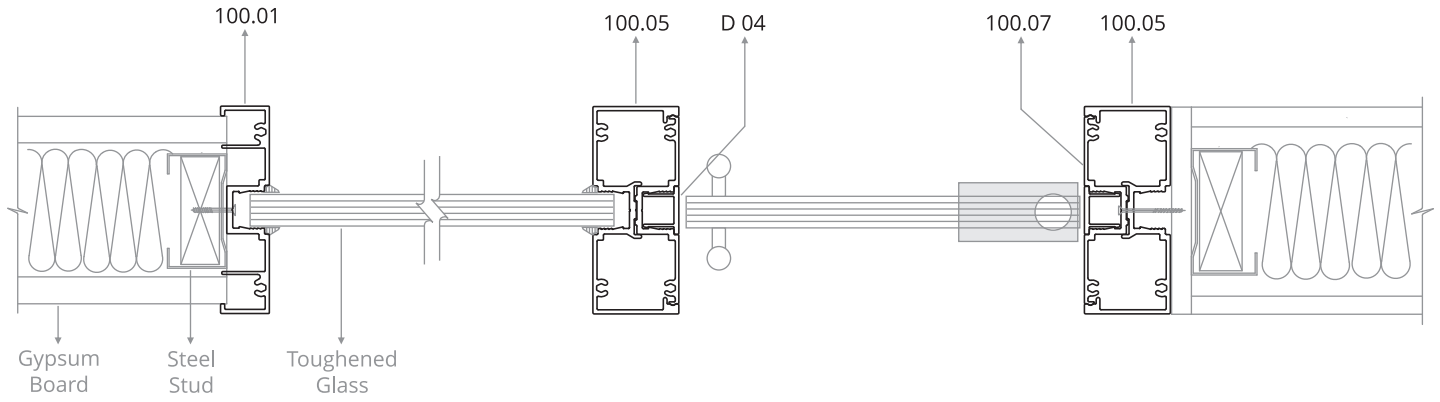




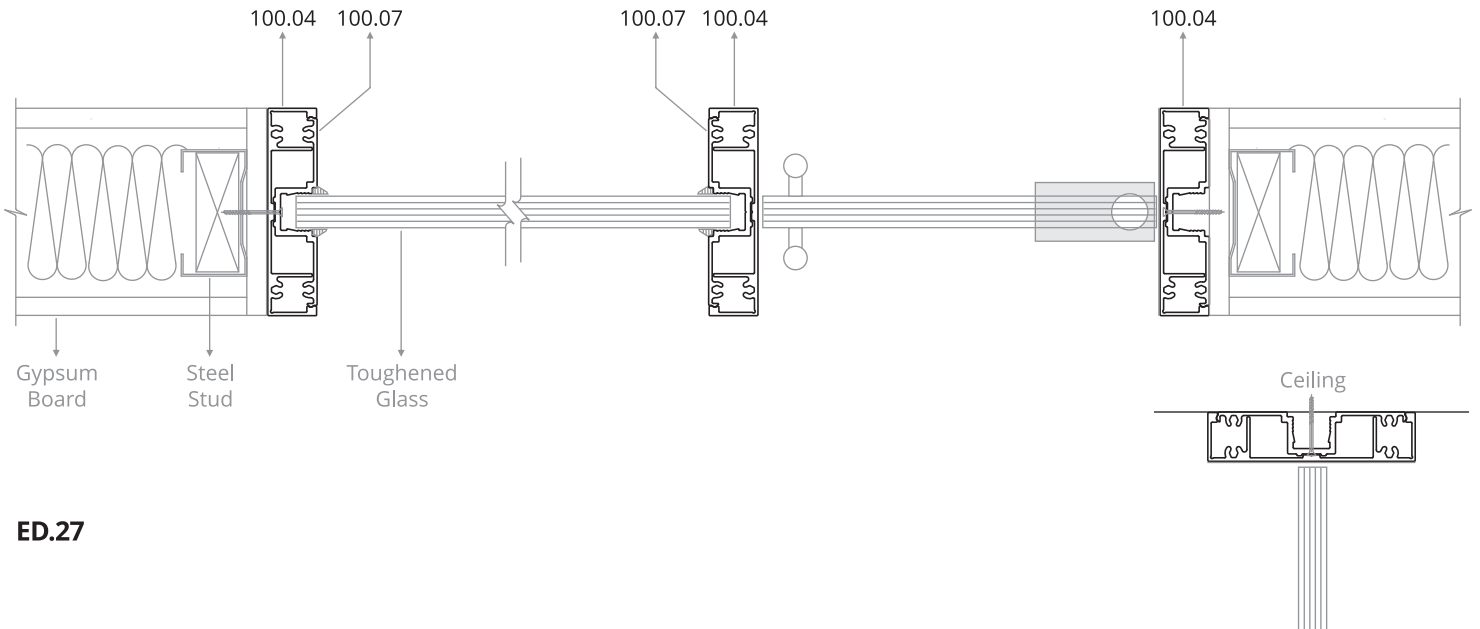
ED.24



ED.25



ED.26



ED.27

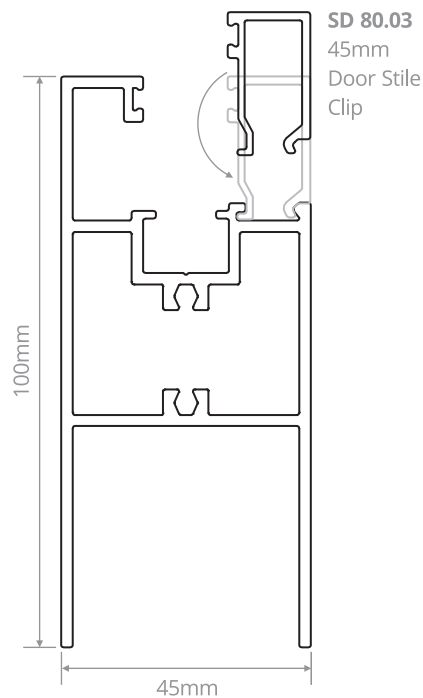


DOOR STILE

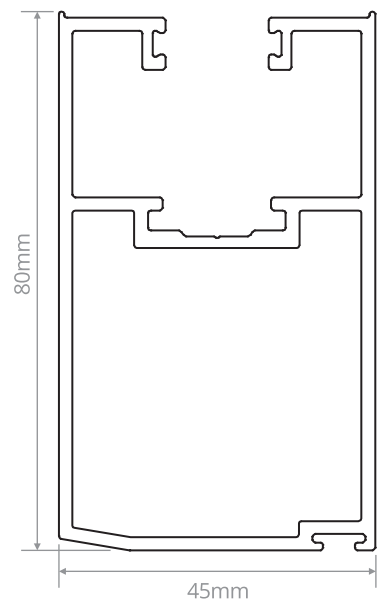


Description

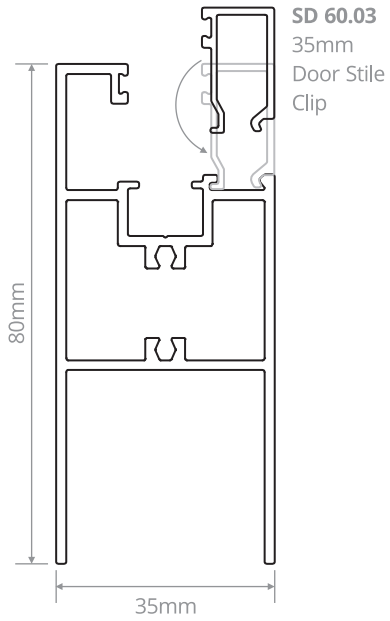
- ▶ Easy to assemble 35mm and 45mm Thick Aluminium Doors.
- ▶ Supplied with specially developed brackets, the doors can be assembled on site in a matter of few minutes.
- ▶ The doors are designed to take up to 55kgs of load.
- ▶ Supplied in ready to assemble kit.
- ▶ **Maximum door size:** 2100mm X 1000mm with 3 hinges and 2700mm X 920mm with 4 hinges.



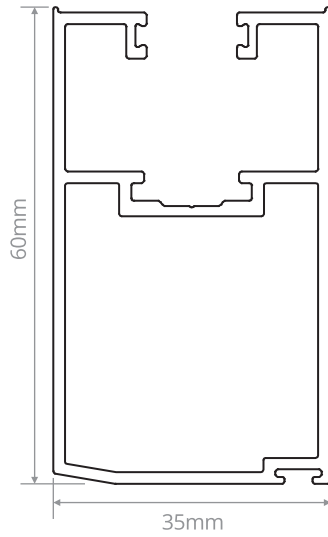
SD 80.02
45mm Door Stile Horizontal



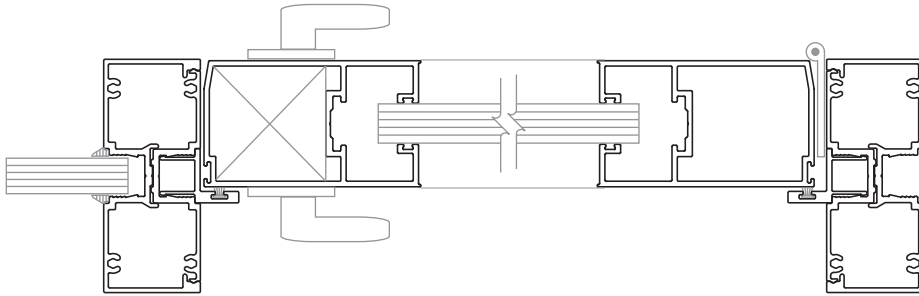
SD 80.01
45mm Door Stile Vertical



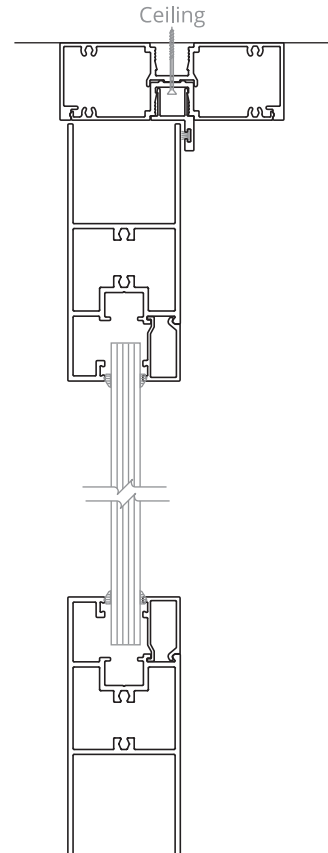
SD 60.02
35mm Door Stile Horizontal



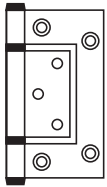
SD 60.01
35mm Door Stile Vertical



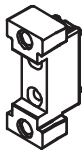
ED.28



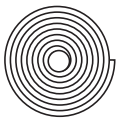
ACCESSORIES



Bottomline Flush Door Hinge



Door Stile Installation Bracket



Adhesive tape for glass joint



Weather seal



Rubber weather seal
Available in Grey



Capping strip
Available in Grey & Black



Glazing rubber for 8mm glass
Available in Grey & Black



Glazing rubber for 10mm glass
Available in Grey & Black



Glazing rubber for 12mm glass
Available in Grey

INDEX BY ITEM CODE

SL.NO.	CODE	PRODUCT	PAGE NO.
1.	SKP001	Easy Fix 50mm	6 - 7
2.	SKP002	Easy Fix 75mm	6 - 7
3.	SKP003	Easy Fix 100mm	6 - 7
4.	SKP004	Easy Fix 150mm	6 - 7
5.	SKP021	Easy Stick 60mm	8 - 9
6.	SKP022	Easy Stick 80mm	8 - 9
7.	SKP023	Easy Stick 100mm	8 - 9
8.	TPP044 - A	Flexi 30mm	18 - 19
9.	TPP046 - A	Flexi 40mm	18 - 19
10.	TPP055 - A	Z Profile	22 - 23
11.	DPP057	HAT 5mm	38
12.	DPP058	HAT 7.5mm	38
13.	DPP059	HAT 10mm	38
14.	DPP060	T Profile 7.5mm	39
15.	DPP061	T Profile 10mm	39
16.	DPP062	L Profile 6mm	40
17.	CGP063	Aluminium Corner Guard - 25mm X 25mm	48 - 49
18.	CRP064	Chair Guard 150mm	58
19.	DPP081	L Profile 12mm	40
20.	DPP082	L Profile 15mm	40
21.	CGP083	Aluminium Corner Guard - 38mm X 38mm	48 - 49
22.	SNP084	Stair Nosing - 68mm X 29mm	32
23.	TPP085 - A	Flexi 50mm	18 - 19
24.	DPP089	T Profile 16mm	39
25.	SNP090	Stair Nosing 45mm X 29mm	32
26.	SNP091	Stair Nosing 24mm X 9mm	32
27.	CGP092	Aluminium Corner Guard - 18mm X 18mm	48 - 49
28.	CGP093	Gypsum Corner Guard - 25mm X 25mm	50
29.	DPP094	L Profile 8mm	40
30.	DPP095	L Profile 10mm	40
31.	CGP096	Aluminium Corner Guard - 12mm X 12mm	48 - 49
32.	CGP097	Aluminium Corner Guard - 14mm X 14mm	48 - 49
33.	CGP098	Aluminium Corner Guard - 16mm X 16mm	48 - 49
34.	RPP099	Recessed Pen Tray - 75mm X 60mm	56 - 57
35.	VQP101	Vertex - Quarter - 6mm	43
36.	VQP102	Vertex - Quarter - 8mm	43
37.	VQP103	Vertex - Quarter - 10mm	43
38.	VAP105	Vertex - Angle - 8mm	44

SL.NO.	CODE	PRODUCT	PAGE NO.
39.	VAP106	Vertex - Angle - 10mm	44
40.	VAP107	Vertex - Angle - 12.5mm	44
41.	VSP108	Vertex - Straight - 8mm	45
42.	VSP109	Vertex - Straight - 10mm	45
43.	VSP110	Vertex - Straight - 12.5mm	45
44.	SEP111	Expression 60mm	12
45.	SEP112	Expression 80mm	12
46.	SEP113	Expression 100mm	12
47.	SIP116	Illusion Recessed - 60mm	10
48.	SIP117	Illusion Recessed - 40mm	10
49.	SIP118	Illusion Finline - 60mm	11
50.	SIP119	Illusion Finline - 40mm	11
51.	DPP120	T Profile - 4mm	39
52.	VSP121	Vertex - Straight - 15mm	45
53.	PF122	Protect - Finline - 8mm	29
54.	PF123	Protect - Finline - 10mm	29
55.	PF124	Protect - Finline - 12.5mm	29
56.	PF125	Protect - Finline - 15mm	29
57.	PBP126	Protect - Broadline - 8mm	30
58.	PBP127	Protect - Broadline - 10mm	30
59.	PBP128	Protect - Broadline - 12.5mm	30
60.	PIP129	Protect - Incline - 8mm	28
61.	PIP130	Protect - Incline - 10mm	28
62.	PIP131	Protect - Incline - 12.5mm	28
63.	PRP132 - with adaptor base	Reflex - 35 - with adaptor base	20
64.	PRP133 - with adaptor base	Reflex - 25 - with adaptor base	20
65.	PRP134 - with adaptor base	Reflex - 45 - with adaptor base	20
66.	PRP132 - with aluminium base	Reflex - 35 - with aluminium base	21
67.	PRP133 - with aluminium base	Reflex - 25 - with aluminium base	21
68.	PRP134 - with aluminium base	Reflex - 45 - with aluminium base	21
69.	PCP135	Protect - Classic - 14mm	31
70.	PTP136	Protect - Top Edge	33
71.	LBP137	Listello - Bevelled - 25mm	42
72.	LBP138	Listello - Bevelled - 10mm	42
73.	LBP139	Listello - Flat - 25mm	42
74.	LBP140	Listello - Flat - 10mm	42
75.	FCP141	Fine Edge - Curve - 3mm	46
76.	FCP142	Fine Edge - Curve - 4.5mm	46

SL.NO.	CODE	PRODUCT	PAGE NO.
77.	FIP143	Fine Edge - Inner Curve - 8mm	46
78.	DPP144	T Profile 7.5mm - Round	39
79.	DPP145	W Profile 6mm	41
80.	CGP146	Flexible Corner Guard - White - 38mm	52 - 53
81.	CGP147	Flexible Corner Guard - Off White - 38mm	52 - 53
82.	CGP148	Flexible Corner Guard - White - 18mm	52 - 53
83.	CGP149	Flexible Corner Guard - Off White - 18mm	52 - 53
84.	CGP150	Textured PVC Corner Guard - White - 18mm	54 - 55
85.	CGP151	Textured PVC Corner Guard - Off White - 18mm	54 - 55
86.	CGP152	Textured PVC Corner Guard - White - 25mm	54 - 55
87.	CGP153	Textured PVC Corner Guard - Off White - 25mm	54 - 55
88.	CGP154	Textured PVC Corner Guard - White - 38mm	54 - 55
89.	CGP155	Textured PVC Corner Guard - Off White - 38mm	54 - 55
90.	CGP156	PVC Corner Guard - White - 20mm	51
91.	CGP157	PVC Corner Guard - Grey - 20mm	51
92.	SCP158	Easy Click - 40mm	13
93.	CGP159	PVC Corner Guard - White - 10mm	51
94.	CGP160	PVC Corner Guard - White - 15mm	51
95.	CGP161	PVC Corner Guard - White - 25mm	51
96.	EPP162	PVC Edge Profile - Grey	24
97.	EPP163	PVC Edge Profile - Beige	24
98.	EPP164	PVC Edge Profile - Brown	24
99.	JPP165	PVC Junction-Profile - Grey	25
100.	JPP166	PVC Junction-Profile - Beige	25
101.	JPP167	PVC Junction Profile - Brown	25
102.	RVP168	Reveal - 10mm	36 - 37
103.	RVP169	Reveal - 12.5mm	36 - 37
104.	RVP170	Reveal - 15mm	36 - 37
105.	GP2535.02 / .03	Glass Profile	60 - 61
106.	45.01 /02 /03 /04 /05 /06	45 Series Partition System	66 -70
107.	85.01 /02 /03 /04 /05 /07	85 Series Partition System	71 - 75
108.	100.01 /02 /03 /04 /05 /07	100 Series Partition System	76 - 81
109.	SDR 80.01 / 02 / 03	Door Stile	82 - 83
110.	SDR 60.01 / 02 / 03	Door Stile	82 - 83
111.	NA	StepUp Entrance Matting System	59
112.	NTP171	Nap Trim	47
113.	VSP172	Vertex - Straight - 20mm	45
114.	CGP173	Aluminium Corner Guard - 20mm X 20mm	48 - 49